

CINEMA & MOVIE THEATER



Manufacturing Seating Solutions

SEATUP[®]
EUROPE

www.seatupeurope.com





THE VIP SERIES

WELCOME TO OUR THE VIP SERIES!

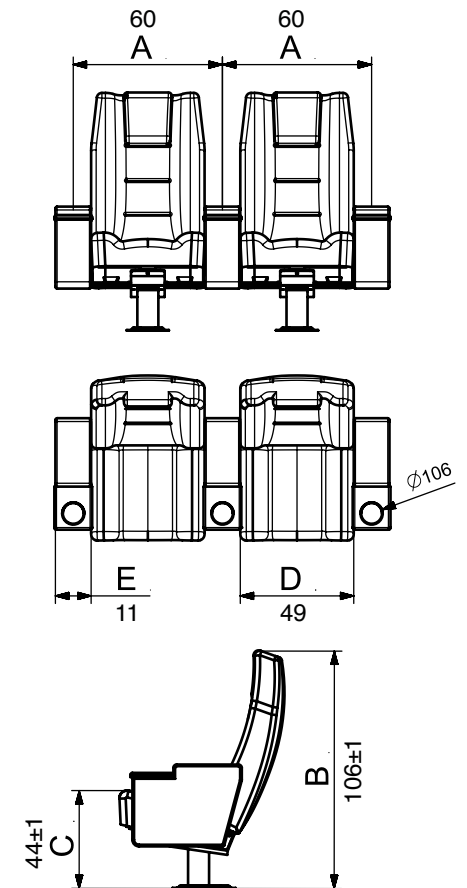
This series is the most common choice for governmental projects or convention centers projects. All the seats in this series have been built for important and highly respectable halls.

Pay attention that the seats on this series are suitable for cinema salons as well. SeatUp Europe[®] is waiting for you with the VIP series.

VIP-100



	S	L	XL
A	60-62	60-62	60-62
B	95±1	106±1	112±1
C	44± 1	44± 1	44± 1
D	49	49	49
E	11	11	11



VIP-200

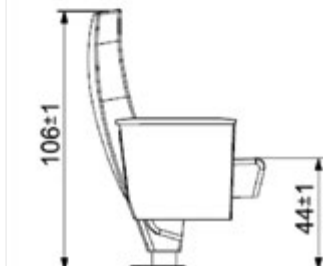
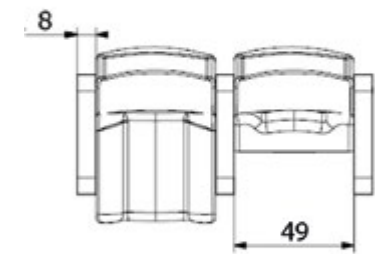
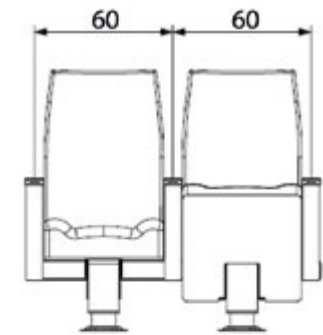


SPECIFICATION

- Warranty 5 years. Producing according to ISO 9001:2008 certificate.
- The foam of seat and backrest are ergonomics and have density of 0.5 +/- 0.05 kg/m³. The skeleton of the backrest has metal pipe 21 x 1.5 mm, inside the seat foam solid surface of plastic injection can be found.
- Our foam of seat and backrest made of anti flame polyurethane injection. Injected to aluminum pattern. Shape of the foam will be in accordance with the drawing and picture of the product model VIP 200.
- The foam of the seat and backrest must be covered with the fabric of the specified technical specifications.

- (mon arm) manufactured in accordance with required number of seats which fit in hall. Seat arms are wooden and a single plastic cup holder can be added as additional.
- Seats will be connecting each other by minimum 6mm unseen metal joint. 4 bolt connections between armrest will provide rigidity.
- Inner skeleton of the armrest is minimum 6 mm metal part.
- Chair seat can be provided as fixed or folding by gravity or folding by spring system. The back rest can be provided as fixed or as swing back ability.
- There will be no slippage or transport at the junctions of the metal parts. Sources continue along all surfaces and there will be no pores.
- Metal parts will be well welded, the burrs of the cuts will be cleaned and the outer surface parts will be no sharp parts.
- There will be no skewness, or similar imperfections in the metal parts. Carrier of feet made 100 x 100 x 2.5mm metal profile.
- Pipes : TS 416/1 TS 6476
- Profiles : TS 6475 ,TS 5317
- Miller: Transmission and vending machines.
- All metal parts and surfaces parts will be cleaning from oil and dirt before painting.
- The surfaces to be painted after chemical cleaning with epoxy polyester based powder paint.
- There will be no differences in scratches and color tones of the metal parts and other surfaces.
- The electrostatic paint will be hard and slippery with thickness of at least 60 micron.

	S	L	XL
A	60-62	60-62	60-62
B	95±1	106±1	112±1
C	44± 1	44± 1	44± 1
D	49	49	49
E	8	8	8



FABRIC/LEATHER SPECIFICATION

- Fabric / leather Without fading in color without error in the finish and without change in form and in full accordance with the requirements of the project.
- Logo or numbers will be printed on the the headrest of the back of the seat according the project details.
- The upholstered parts of the seats will fit the dimensions and details specified in the enclosed project. The seat and backrest and the flooring materials used in the seating areas will be seamless and monolithic.
- Fabric / leather with minimum 5 mm anti flame lamination foam.



SEAT FOAM FEATURES

- The PU sponge (foam) used in the arm physical properties and breaking strength : (ISO 1798-76) 108 Kpa
- Tearing strength : (ASTM-D3574) 1,47 N / cm
- Hardness strength : ILD % 50 (ISO 2489 - 80) 20 kgf
- Permanent deformation : % 50 (ASTM - D 3574) < % 8
- Burning speed : MVSS 302
- Density: 55 kg/m3 (+/- 5kg/m3)

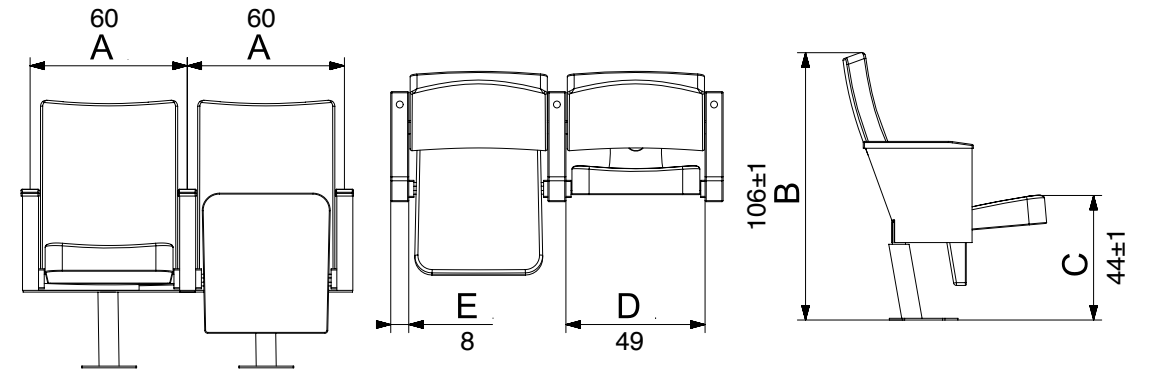
Note: In additional price BS7176 and Crib5 standards available for maximum anti flammability.





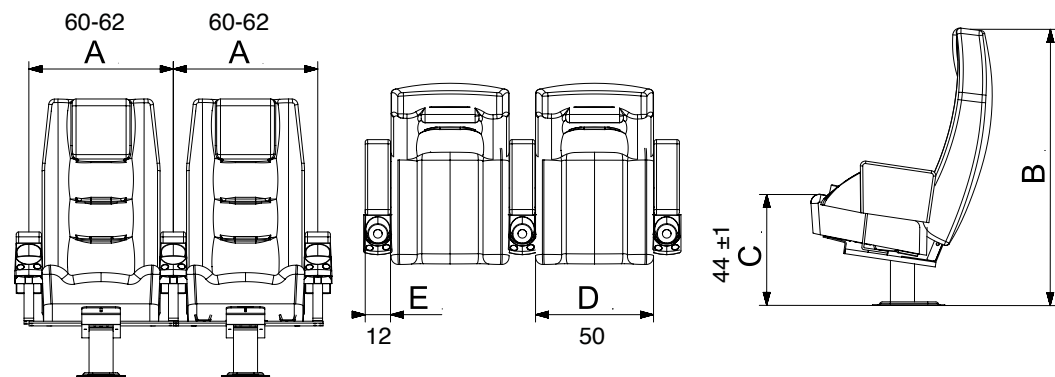
01

VIP-300



	S	L	XL
A	60-62	60-62	60-62
B	95±1	106±1	112±1
C	44± 1	44± 1	44± 1
D	49	49	49
E	11	11	11

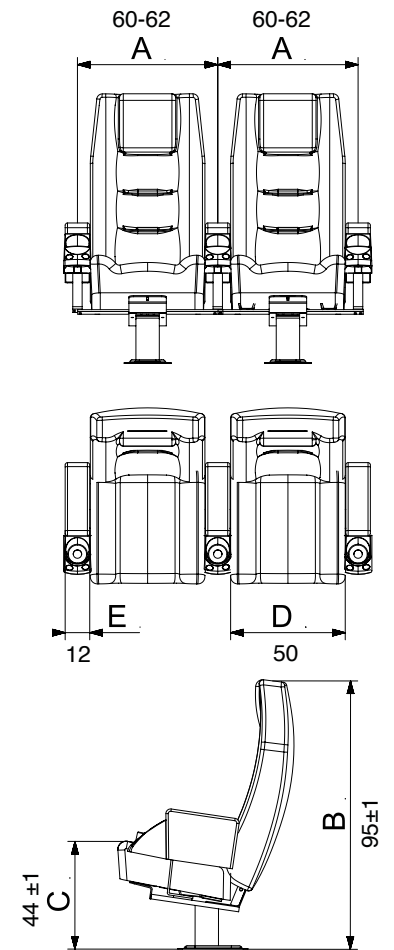
VIP-400



	S	L	XL
A	60-62	60-62	60-62
B	95±1	106±1	112±1
C	44± 1	44± 1	44± 1
D	50	50	50
E	12	12	12



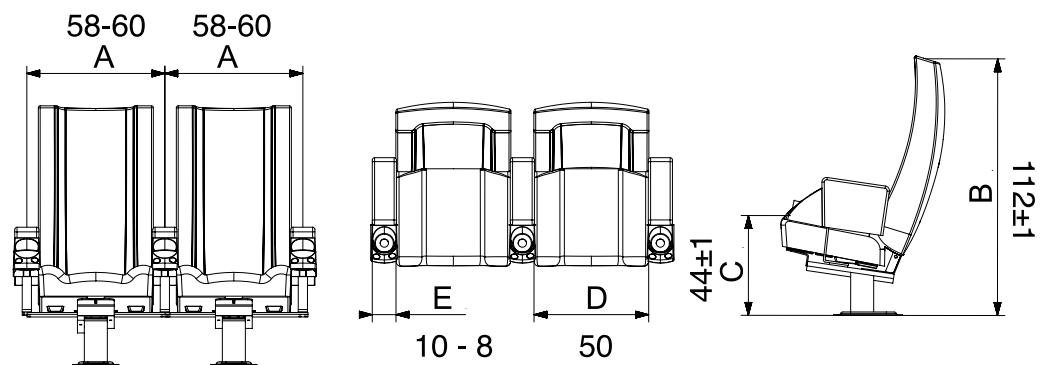
VIP-500



	S	L	XL
A	60-62	60-62	60-62
B	95±1	106±1	112±1
C	44± 1	44± 1	44± 1
D	50	50	50
E	12	12	12



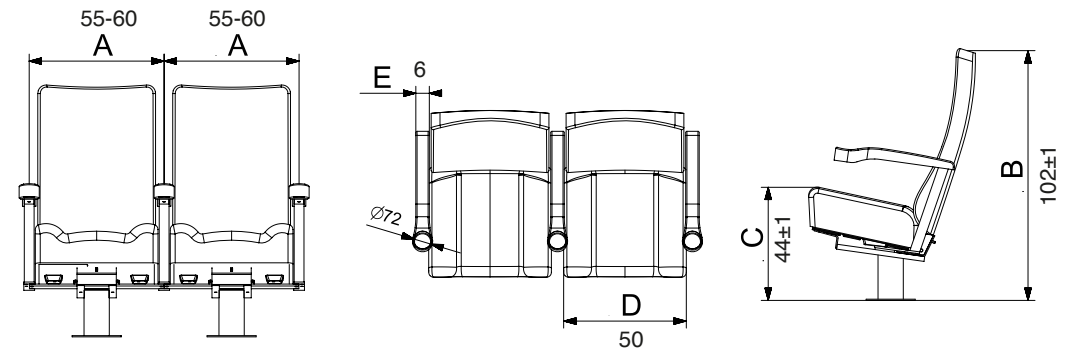
VIP-600



	S	L	XL
A	58-60	58-60	58-60
B	95±1	106±1	112±1
C	44± 1	44± 1	44± 1
D	50	50	50
E	10 - 8	10 - 8	10 - 8



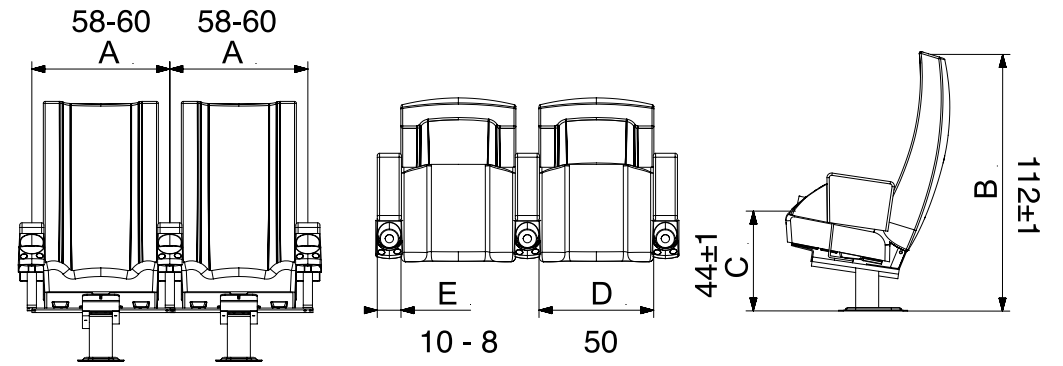
VIP-700



	L	XL
A	55-60	55-60
B	95±1	102±1
C	44± 1	44± 1
D	50	50
E	6	6



VIP-800



	S	L	XL
A	58-60	58-60	58-60
B	95±1	106±1	112±1
C	44± 1	44± 1	44± 1
D	50	50	50
E	10 - 8	10 - 8	10 - 8



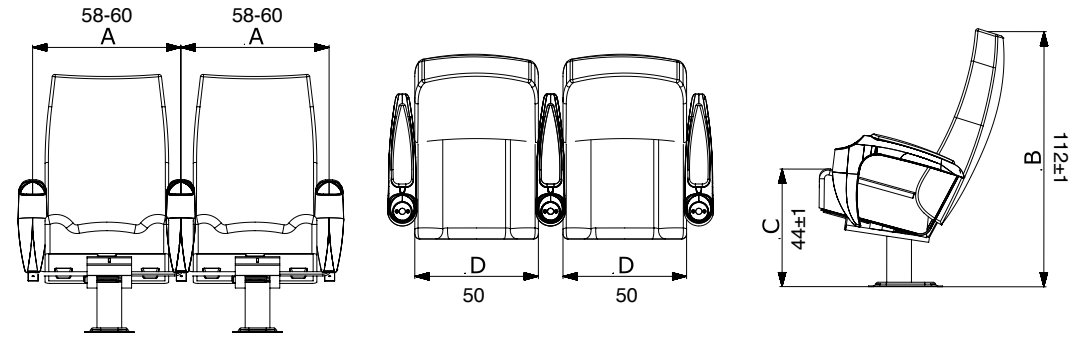


CINEMA SERIES

WELCOME TO OUR CINEMA SERIES!

Cinema Salons nowadays are everywhere! and they are not anymore only in malls, we see now more and more projects of cinema salons in private villas and country clubs. Even schools and institutes started to create their own movie theater, from a public cinema salon to a private home cinema SeatUp Europe® has all what you need for any cinema project, with a wide range of cinema seats collection and with non stop developing of new models we sure together with you we can create a new perfect cinema salons that will bring joy & happiness to the crowd. Our models serving famous Cinema branches all around the world.

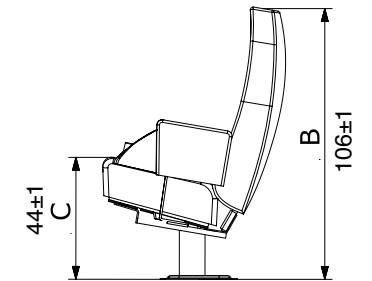
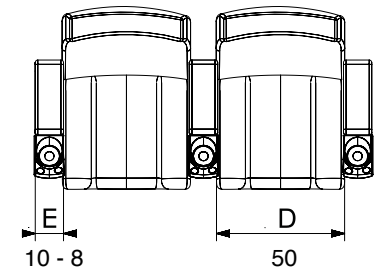
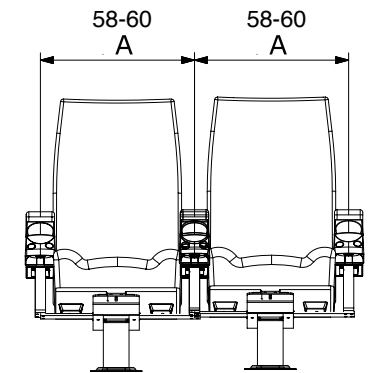
CN-100



	S	L	XL
A	58-60	58-60	58-60
B	95±1	106±1	112±1
C	44± 1	44± 1	44± 1
D	50	50	50
E	12	12	12



CN-300

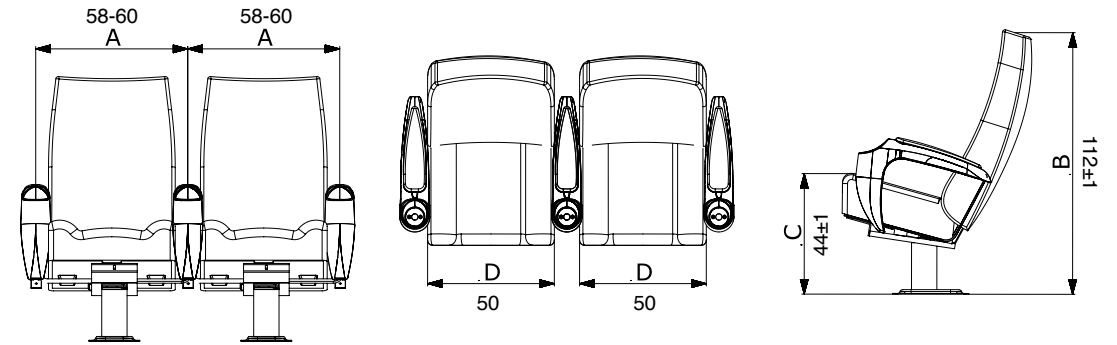


	S	L	XL
A	58-60	58-60	58-60
B	95±1	106±1	112±1
C	44± 1	44± 1	44± 1
D	50	50	50
E	10 - 8	10 - 8	10 - 8



CN-400

12



	S	L	XL
A	58-60	58-60	58-60
B	95±1	106±1	112±1
C	44± 1	44± 1	44± 1
D	50	50	50
E	12	12	12



CINEMA LUX - 1



Different Color Options

CINEMA LUX - 2



CINEMA LUX - 3



CINEMA LUX - 4

Home cinema seating with motor, With buttons on the sides of the seat, you can open a cushion for your legs and lean back till full reclining. Special sensor will allow the seat to be close automatically to normal position when you get up from the seat. Electric folding dining table, cup holder with system for heating or cooling drinks are available.



CINEMA LUX - 5

Luxury sofa for full reclining and with bag to put the shoes, in use in cinemas as VIP seats.



CINEMA LUX - 6



CINEMA LUX - 7



CINEMA LUX - 8



CINEMA LUX - 9

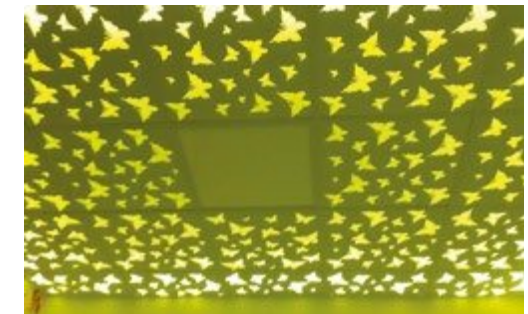


Bring the cinema to your home, or bring your home to the cinema... with our recline seats you will always feel just like in home. Our recline seats have automatic sensor so the cushion for the legs will close automatically when you get up from the seat .



STRETCH LED CEILING

Stretched ceilings are the last word in modern design and they are the best way to create an atmosphere and any fantasy which you wish to have for the space which you design. Espacily in cinemas the guests which are arriving to the hall are waiting to see something special before the movie start, that is your time to blow up their mind with a special stretched ceiling and to give them an unforgettable experience Which will attract them to come again and invite their friends. It can be a ceiling which look like a sky at night with stars and moon, or it can be a ceiling that make the space to be look like a jungle full of trees, you decide how to make the "wow" effect on your audience so they will want to come back again and call their friends to see your cinema hall or any other public building that you may design. It is also important to add that beyond the design experience of the stretched ceilings they are also improve the acoustics in the space and also help to create the illusion of a larger space or a smaller space according to your needs and according to the effect you seek to create in the space you are designing.

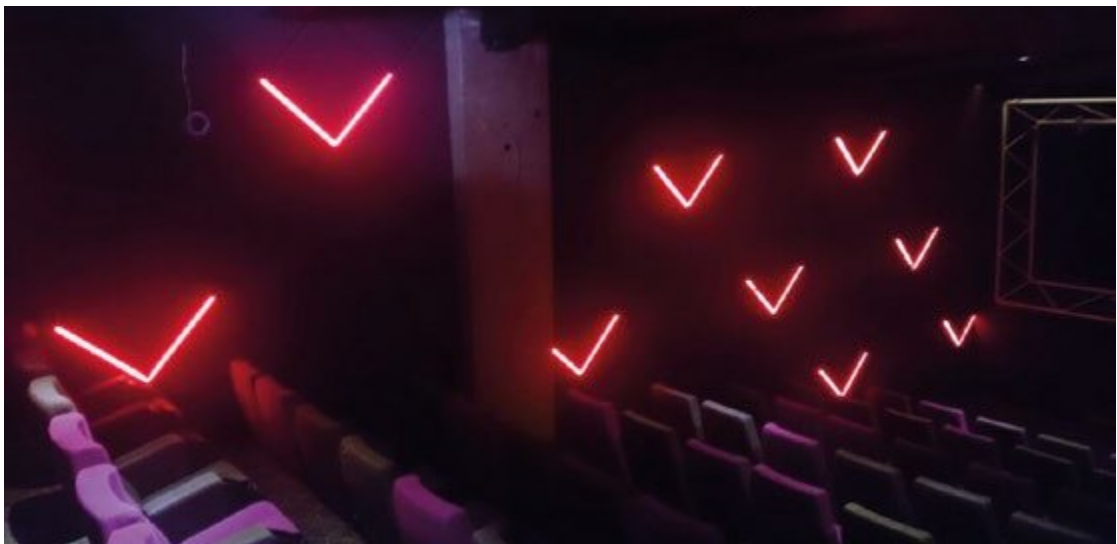


LED DESIGN

The combination of led lighting in the wall in different shapes, diagonals or straight lines is a good way to add modern design to the hall and also help in situations where the hall has been darkened but it is necessary to enter a guest or announce something without turning on the lights and interfering the experience of the audience.

Therefore we are here for you, in many of our projects besides our seats and Acoustic panels we also provide the design and the installtion of the led lighting for the stairs and for the wall.





www.seaturope.com

Seatup Europe | Manufacturing Seating Solutions Catalogue 2020 - 2021



Manufacturing Seating Solutions

SEATUP[®]
EUROPE



CONTACT INFO

Factory.

Cherno More Str. Kableskovo, P.C. 8210,
Municipality of Pomorie, Burgas District, Bulgaria

Website.

www.seatupeurope.com

Mobil.

+90 542 719 67 12

Tel.

+359 87 9029626

Mail.

info@seatupeurope.com

export@seatupeurope.com