

*Success
based on knowledge,
knowledge based on
experience*



Manufacturing Seating Solutions

SEATUP[®]
EUROPE

www.seatupeurope.com



The ethic and the philosophy behind our company

“Together with the help of God we can make this world a better place for us and for our children and the next generations to live in peace.”

A Message from our chairman

Thanks to the One God Almighty, he created us the human beings and divided us into different tribes, different nations, different colors and different races in order that we will meet each other and get to know each other so that together we will make this world a better place for us and for our children and the next generations to live in peace.

Unfortunately the mankind is misunderstanding the wisdom of the God and Instead of sharing and cooperating with each other we are busy in fighting and killing each other and oppressing others under the claim of differences ...

Now more than ever, we must put a side all kind of differences of colors and religions and we must get closer each other, people from different nations and backgrounds must to learn to work together and built a better world to live in.

We hope to see better days for the humanity who suffer now more than ever in history.

We hope that love between different nations can grow and can bring all of us better days because we got sick and tired from seeing wars on earth.

In our company SeatUp Europe® we truly believe that one of the important mission of the mankind is to meet other people from different nations, and cultures and to learn to work together in peace with each other, Therefore in SeatUp Europe® beside the local Turkish market which we are already active in we shall give

Importance and priority for the global market by exporting our excellent products to other more than 25 countries from all over the world, we are looking forward this year for new projects and new ideas which will be the fruit of our realisation of the needs of each other and as a result of honest cooperation with each other.

ABOUT US

In 1995, our factory and company for Auditorium Seating Solution was founded in Turkey in Bursa city on 4000m² production. In 2018 we opened a new company and our bigger manufacture plan in Bulgaria under the name SeatupEurope[®] on 7500m² land. Our manufacture has 6 main sections:

Metal Section, Wood Section, Plastic Injection, Molded foam injection, Painting section and Upholstery & Sewing section. It has been 20 years that we produce our high quality seats for both the local market as well as for the global market.

At the last few years we established our new brand name: ACOUSTIMA[®] (www.acoustima.com) and we started producing professional acoustic panels for wall and ceiling with special custom design, ACOUSTIMA[®] products are all available under SeatupEurope[®] as well with the European Standards and CE stamp.

Our specialty is to manufacture high quality seats for: Conference salons & theater halls, Cinema & movies salons, Stadium & Sport salons, and other public buildings such as: Universities, schools, hotels, shopping centers and etc. we are highly experienced with the governmental sector projects and as well as with projects in the private sectors. We hold the CE European Standards Certificate and the ISO 9001 certificates for both quality products and Quality management system, we hold the TSE 12727 certificates, we use raw materials con-

firmed by ASTM global standards. Both our upholstery fabric and foam stands the British standard for fire resistant BS 7176 and CRIB 5.

In 2018 we opened a new company and a new branch in Bulgaria under the name SeatupEurope[®] (www.seatup europe.com), we have purchased 7500m² land in Bulgaria in order to construct our second factory which will meet the high demand for our products in Europe, and will also back up our existing plant in Turkey. Hopefully in 2020, we will start producing many of our products in our new factory in Bulgaria under the name SeatupEurope[®], as well as we will build there a huge showroom that will exhibit our wide range of products.

All the manufacturing process of the seats done in our factory by ourselves step by step, so that's giving us full control and full responsibility to provide you with the best product ever possible with no damage in the production. We are the only factory in Europe which give 7 years warranty for Auditorium Seats! Our products have been used in governmental organizations, private entities and a wide range of various nongovernmental institutions. We always work on developing new models of seats according to the demand of our customers. Many of our VIP seats are our own unique development and these models registered under our name.



START WINNING BY CHOOSING THE RIGHT PRODUCER

It is known that Auditorium projects and stadium projects, are one of the most difficult challenge for the contractor, every small mistake in production can affect negatively on the whole project in a way that will be very difficult to fix later on.

Therefore for you as a contractor of the project you must to be very sure that your producer will pay attention to all small details and will help you to caught the weak points that you may didn't think about them before the problems will come up... You know that every little mistake in production will cause you delay on the delivery date which can risk you with extra costs and penalties. So you need a reliable and professional company who is: specializing in the Auditorium field and in the public buildings field, a company that will be able to understand your needs just by looking on the drawing of the project, a company that will be there for you to provide you as well with service after sale, a company that will be responsible to deliver you the goods right on time up to the term of the agreement conditions, a company that can do the installation for you and can give you a professional technical support by professional engineers, let me tell you the good news! you discovered this company now!

The choice is here in your hand: SeatUp Europe[®] Manufacturing Auditorium Solutions. We are here at your door with high quality standards products and with high customer service.



OUR EXPORT DEPARTMENT



Exporting is an art, and a profession, so for you as an importer you need to have a professional exporter who will be there for you and will take care of your goods till it will reach to your hands. We export to the global market which is growing with the years, we export to about 25 countries, exporting to 25 countries around the world among the 4 continents is not an easy task. Each country has different requests and standards which we must to fit ourselves into in order to satisfy our customers, the work of SeatUp Europe® doesn't stop with the producing of the seating for auditorium and the acoustic panels, our export department will be happy to help you getting any other materials and products made in Bulgaria which you may wish to have for your projects or for your other trading business. So in any case that you might need something from Bulgaria, please don't hesitate to consult with us and will be there to assist you. Other products which we usually export depend upon our customers request are: constructions materials and all kind of furniture.

How to deal with the COVID-19 crisis?

We must take care of the health of our near environment and our community, as a company that is a manufacturer we have enlarged the factory to allow work in more spacious areas to reduce crowdedness and allow physical distance between employees, we do not like the use of the expression which everyone saying now as "social distance" , because when we maintain physical distance it doesn't mean we keep social distance from each other , the expression "social distance" only discourages the people all around the world, it may be necessary to maintain a physical distance but it does not mean that the sociability we have built should be harmed, so we suggest using the term "physical distance" instead of saying "social distance".

We wish everyone all over the world good health.



INDEX

Contents

BASIC SERIES	15
BSV-1 & BSV-2.....	16
BSV-4 & BSV-3	22
BSZ-5 & BSZ-6.....	26
BS Z-8 (with or without writing table).....	28
BS Z-8.....	30
BSZ-9	31
BSZ-7.....	32
BS ANTIPANIC	34
ELEGANT SERIES.....	39
EG-400	40
EG-300	41
EG-500	42
EG-600	43
EG-700.....	44
EG-100.....	45
EG-200.....	48
EG-750.....	50
EG-800	51
EG-900	52
EG-950	56
EG-AIRTUP.....	58
VIP 1400.....	60
THE VIP SERIES	63
VIP-100	64
VIP-200	66
VIP-300.....	72
VIP-400.....	74
VIP-500.....	76
VIP-600.....	80
VIP-700.....	82
VIP-800.....	84

CINEMA SERIES.....	87
CN-100	88
CN-300	90
CN-400.....	94
CINEMA LUX - 1.....	96
CINEMA LUX - 2	97
CINEMA LUX - 3.....	98
CINEMA LUX - 4.....	99
CINEMA LUX - 5.....	100
CINEMA LUX - 6.....	101
CINEMA LUX - 7.....	102
CINEMA LUX - 8.....	104
CINEMA LUX - 9.....	105
HOTEL SERIES	115
RELAX-100.....	116
RELAX-200.....	118
KINO-100.....	120
CHESTER SOFA.....	122
ELEGANTO 100.....	124
CHESTER CHAIR.....	126
ELEGANTO 200.....	128
VINTAGE.....	130
STADIUM SERIES.....	141
STADIUS 220	142
STADIUS 111.....	146
STADIUS TIP-UP 401	148
STADIUS TIP-UP 401	150
STADIUS TIP-UP 401	151
STADIUS 401 with upholstery.....	152
STADIUS 401 with armrest and table	153
VIP SEATUP2 ANTI PANIC.....	154
PLAYER SEAT.....	156

TELESCOPIC SYSTEM.....	159
PROTABLE SYSTEM MINI STADIUM.....	176
ACOUSTIMA.....	181
CLASSIC ACOUSTIC PANEL.....	182
3D ACOUSTIC PANEL.....	186
CLASSIC CEILING.....	190
STRETCH LED CEILING	192
LED DESIGN	194
ACOUSTIC WOODEN PANELS.....	196
OUR SPECIAL COLLECTION.....	199
ACOUSTIC WOODEN	201
PANELS FOR WALL	201
ACOUSTIC WOODEN PANELS FOR CEILINGS	202
BAFFLE PANEL.....	208
CANOPY PANEL	209
COLOR CHART	211
MDF LAMINATE COLOR CHART	212
CAMIRA XTREME.....	225
SEATUP DIAMOND FABRIC.....	234
SEATUP LUXURY FABRIC	236
SEATUP BRIGHT FABRIC.....	238
SEATUP CLASSICAL FABRIC	240
SEATUP COLORFULL VELVET FABRIC.....	242
SEATUP HAWANA ARTIFICIAL LEATHER.....	244
SEATUP DYNAMIC ARTIFICIAL LEATHER.....	248
SEATUP SERI REAL LEATHER.....	250
RAL INTERNATIONAL COLORS	252



BASIC SERIES

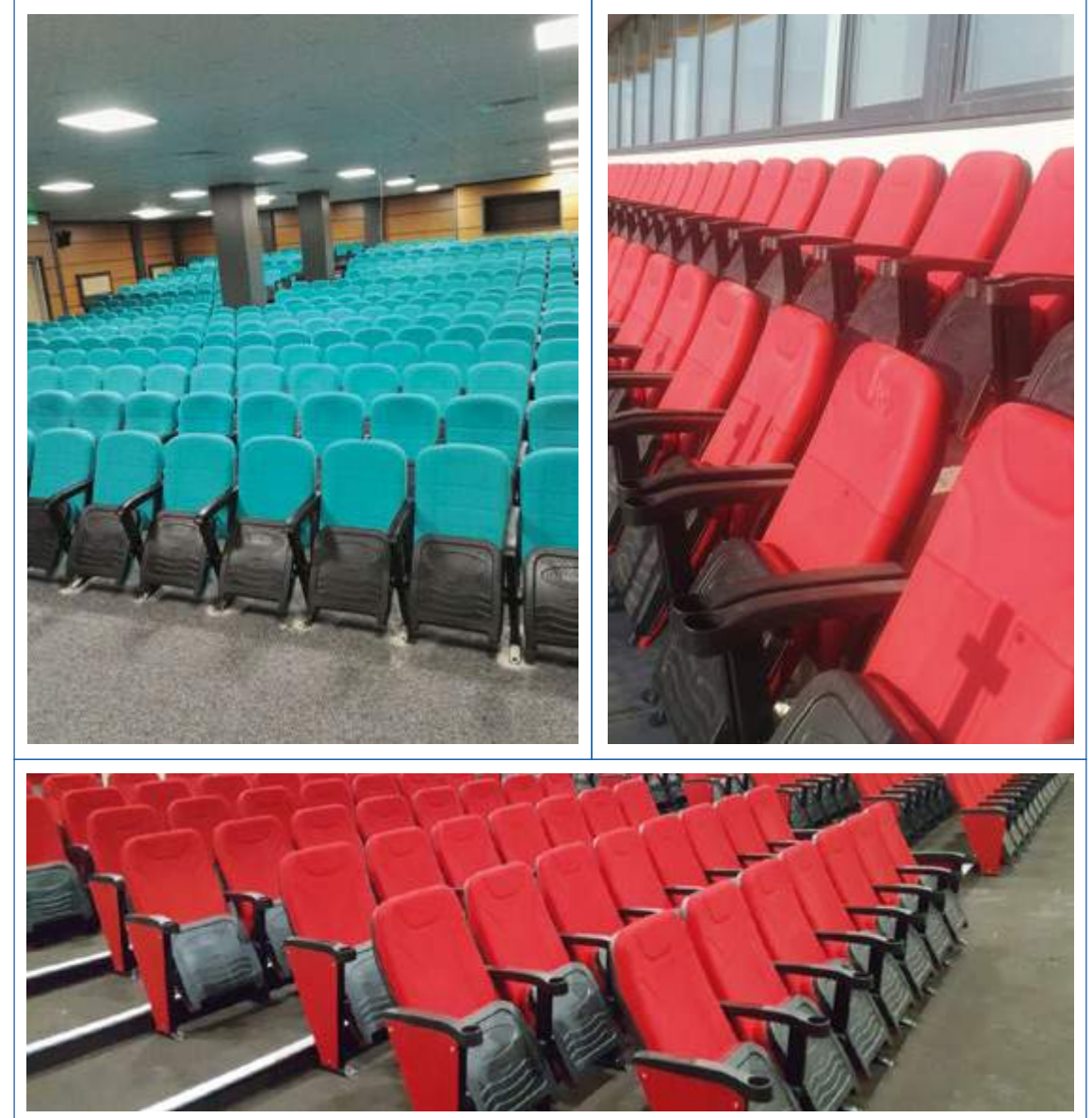
WELCOME TO OUR BASIC SERIES!

Do you have a project with a very limited budget and very limited time? Great! So the BASIC series is just for you! Our Basic Series offer wide range of seats with high quality but still with reasonable prices. As well we can easily deliver you the seats on this series with a very short time. SeatUp Europe[®] waiting for you! We have the solution for every auditorium project.

BSV-1 & BSV-2



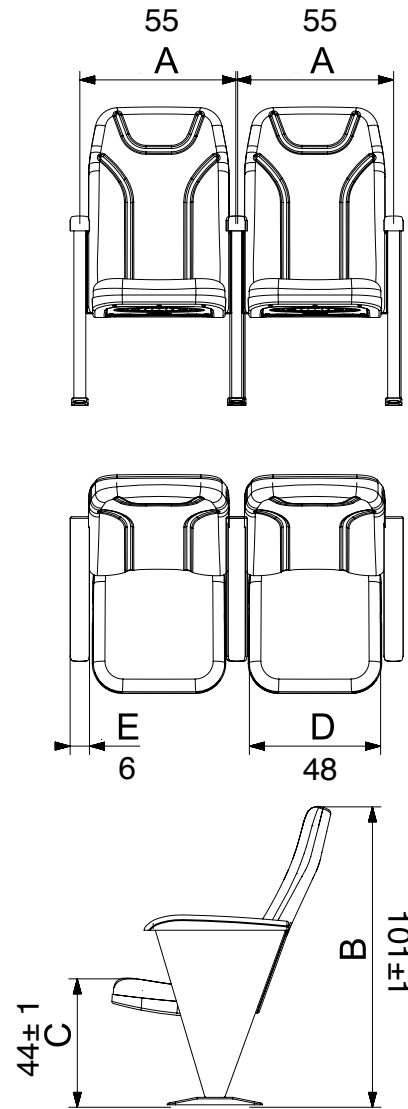
The armrests can be produced with or without cupholders, we only use high quality of hard-thick polypropylene armrests which is made in our factory by our own injection machines, as well armrests can be produced from high quality beech wood and any color can be applied.





BASIC V-1 TECHNICAL SPECIFICATIONS

- Products will be guaranteed for 5 years. Manufacturer with ISO 9001: 2008 certificate must possess.
- The seat and backrest of the ergonomic foam according to 50 +/- 5 kg / m³. seat and back will be made with skeletal frame of 21 * 1.5mm of metal pipe .
- The seat and backrest must be covered with fabric with the technical properties accordingly with the surface of the Sponge. The backrest can be with printed logo name or numbers according to request. The Backrest has high quality hard and thick plastic cover.
- Seats in the adjacent (co-sleeved) as the hall layout will be manufactured considering in the required number of feet. The seats on each begging of row and end of row will be covered with fabric on the full-length side . And the Rest of the seats in the row will have open side only with the metal fram without fabric cover.
- Armrest will be produced as a complete plastic cup holder or without cup holder according to request. Armrest can be produced as wooden with high quality coated paint.
- Chair Seat to be self-closing (folding) by gravitation and has high quality hard and thick plastic cover on the bottom Part.
- Metal legs have strong stability and cannot be moving and cannot suffer from erosion.
- The bottom part of the seat leg can be added as a higher part according to the request and necessity of the salon without hurting the stability and the standard quality of the seat.
- The metal legs are minimum of 40 * 60 * 1.5mm and it will be produced from metal profile of 20 * 40 * 1.5 mm.
- Pipes: min ø 21 x 1.5 mm TS 6476 TS 416/1
- Profiles: Min 1.5 mm TS 6475, TS 5317
- Miller: Use will be made based on the transmission and instead of cutting steel.
- Grease and dirt will be cleaned before painting of the metal parts.
- Surfaces will be painted with epoxy-polyester-based powder paint after mechanical and chemical cleaning.
- Painting will be completed with no different from part to part with same layer.
- Oven paint will be hard and slippery. Paint thickness shall be at least 60 microns.



FABRIC PROPERTIES

- Fabric thick and tight, color tone will be clear with no differences.
- Upholstery fabric colors and patterns will be in accordance with the color and pattern of the fabric in the addendum...
- Special specification and fabric certification will be provided according to the request of the project.

Fabric Features;

- Woven Fabric Type to be selected from fabric catalog.
- Composition of the fabric: % 100 polyester (ISO 1833)
- Weight per square meters, (at least) : 200 gr / m2 +,- 10 gr/m2 (ISO 3801)
- Abrasion resistance (at least): 40,000 rpm (ISO 12947-2)
- Friction against color fastness (at least) (ISO 105x12) Dry: 4 Age: 4
- Color fastness against light (At least) (ISO 105-B02): 5
- Fabrics will be produced with min 5 mm lined lamination.

Seat Foam Features;

- PU foam used in the seat .
- properties and tensile strength: (ISO 1798-76)108 Kpa
- Tear strength: (ASTM-D3574) 1,47 N / cm
- Hardness strength: ILD % 50 (ISO 2489 - 80) 20 kgf
- Permanent deformation: % 50 (ASTM - D 3574) < % 8
- Fire resistance : MVSS 302 must to be appropriate.

	V 01	V 02	03	04
A	55	55	55	55
B	101±1	101±1	101±1	101±1
C	44± 1	44± 1	44± 1	44± 1
D	48	48	48	48
E	6	6	6	6



BSV-4 & BSV-3

The end and the beginning of each line will applied with closed compartment upholstered as show below:



while the other seats among the lines will applied with open compartment. as show below:



BSZ-5 & BSZ-6



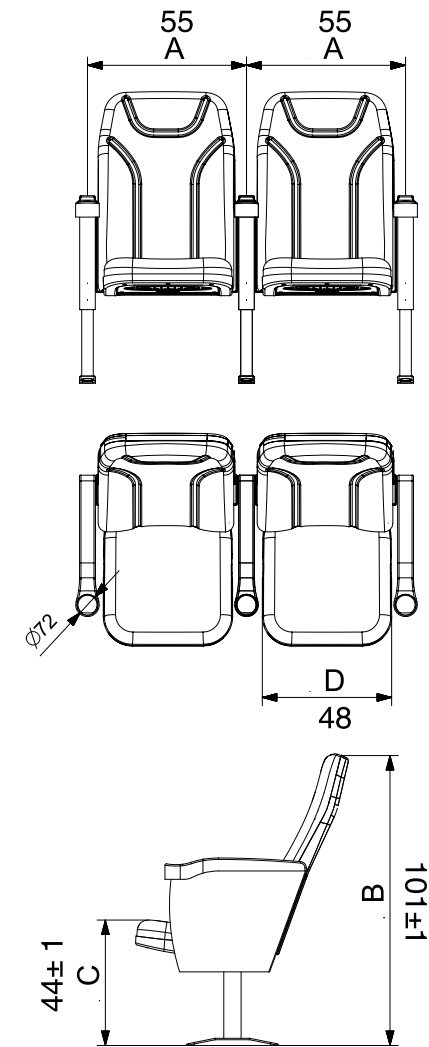
SEAT SPECIFICATIONS

Seat centers : 55 cm (seat with shared arms) Seat width : 49 cm
 Back height : 101 cm
 Seat height : 44 cm

The back and seat foams are produced as molded foam in aluminium molds.(Foam Standart MVSS 302)
 Back foam molded on the metal frame (EN 12727 / 3.1)

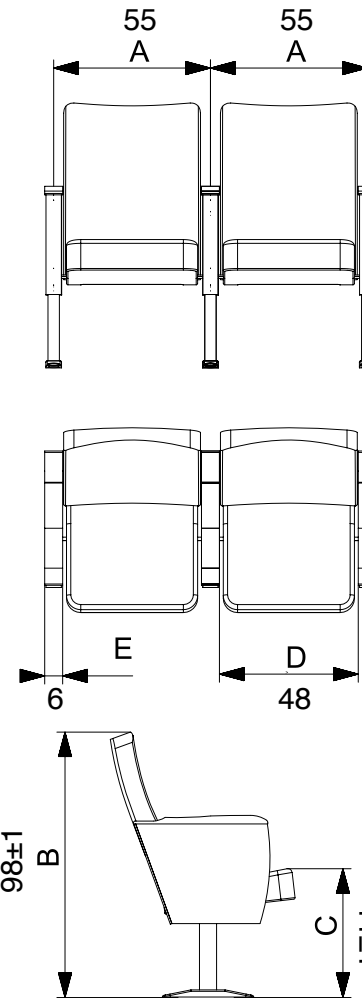
The PU Lader has a flammability property B1
 Polypropylene injection cover shells for seat and backrest (FR-5) Seat fitted on the special metal base (EN 12727 / 3.1) Seat shell with weight system has a shutdown feature.

The feet and armrests are optional (Wood,plastic,cupholder)



	V 01	V 02	03	04
A	55	55	55	55
B	101±1	101±1	101±1	101±1
C	44± 1	44± 1	44± 1	44± 1
D	48	48	48	48
E	6	6	6	6

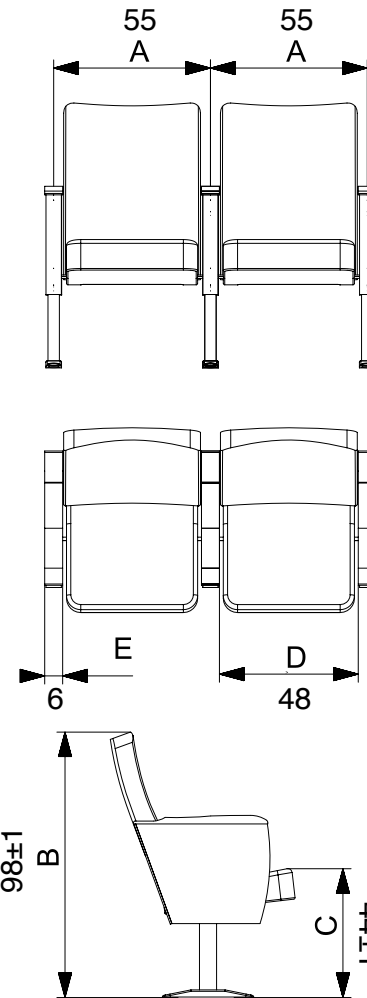
BS Z-8 (with or without writing table)



	S	L	L01
A	55	55	55
B	95±1	98±1	98±1
C	44± 1	44± 1	44± 1
D	48	48	48
E	6	6	6

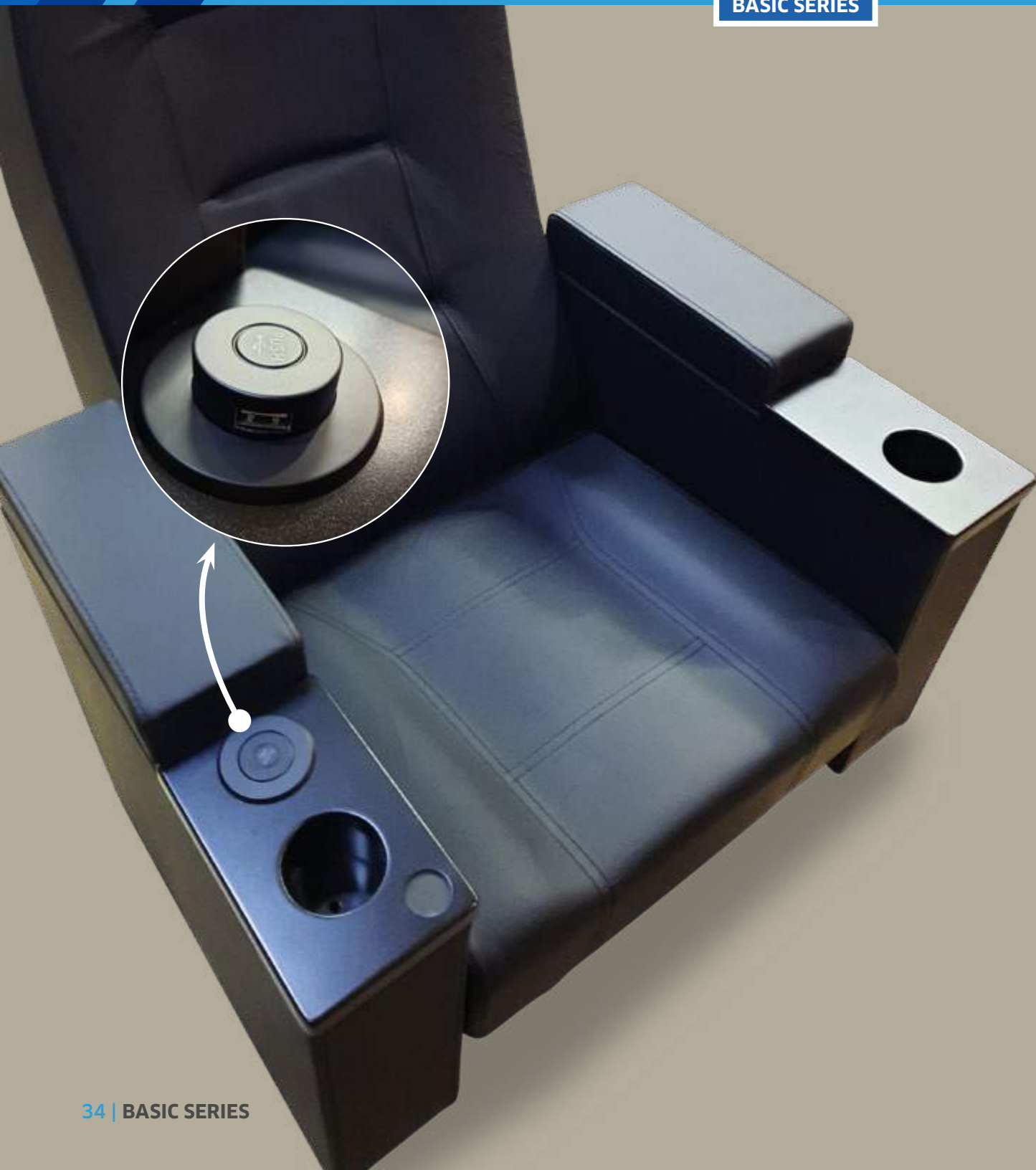


BS Z-8 (with or without writing table)



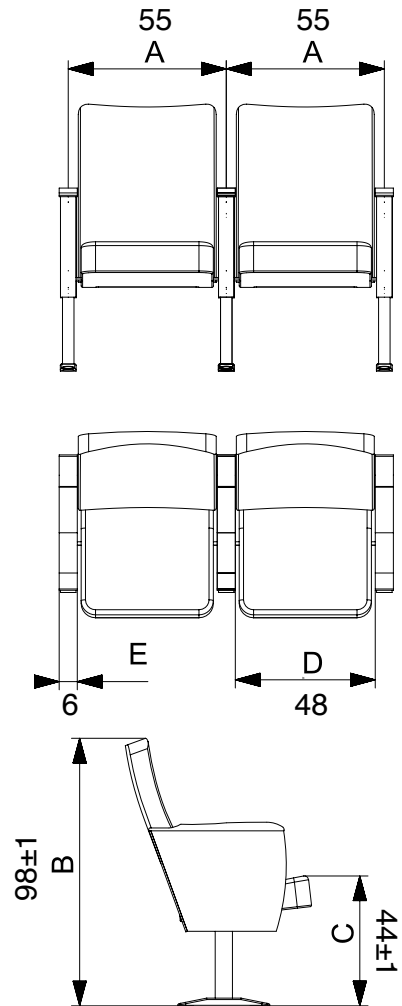
	S	L	L01
A	55	55	55
B	95±1	98±1	98±1
C	44± 1	44± 1	44± 1
D	48	48	48
E	6	6	6





*Every seat model can be produce with
USB connection in the armrest!
Our USB connector is durable and has
the capacity for triple input, meaning at
each armrest you will have the ability to
charge 3 phones at the same time.*

BSZ-7



	V 01	S 01
A	54	55
B	91±1	93±1
C	44± 1	44± 1
D	48	48
E	6	6

BS ANTIPANIC

A real anti-panic system for quick opening and folding of the table without noise!!!



GENERAL FEATURES

Seat centers 55 cm

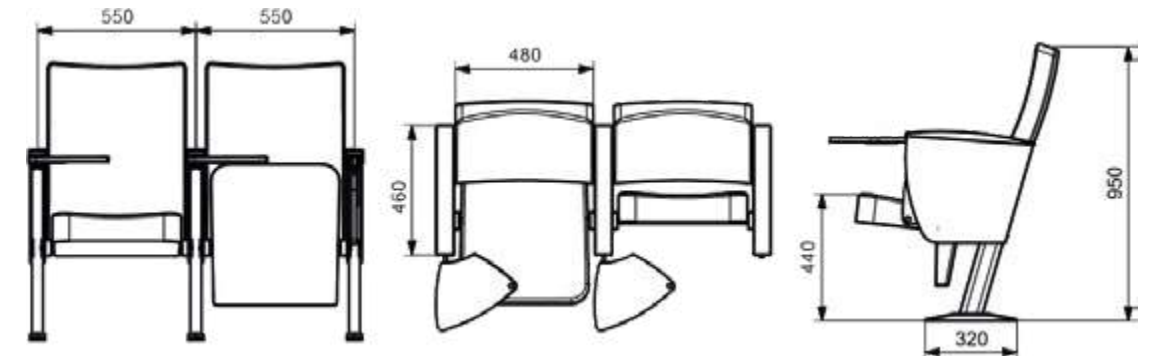
Overall height 95 ± 1 cm

Seat height 44 ± 1 cm

Seat width 48 ± 1 cm

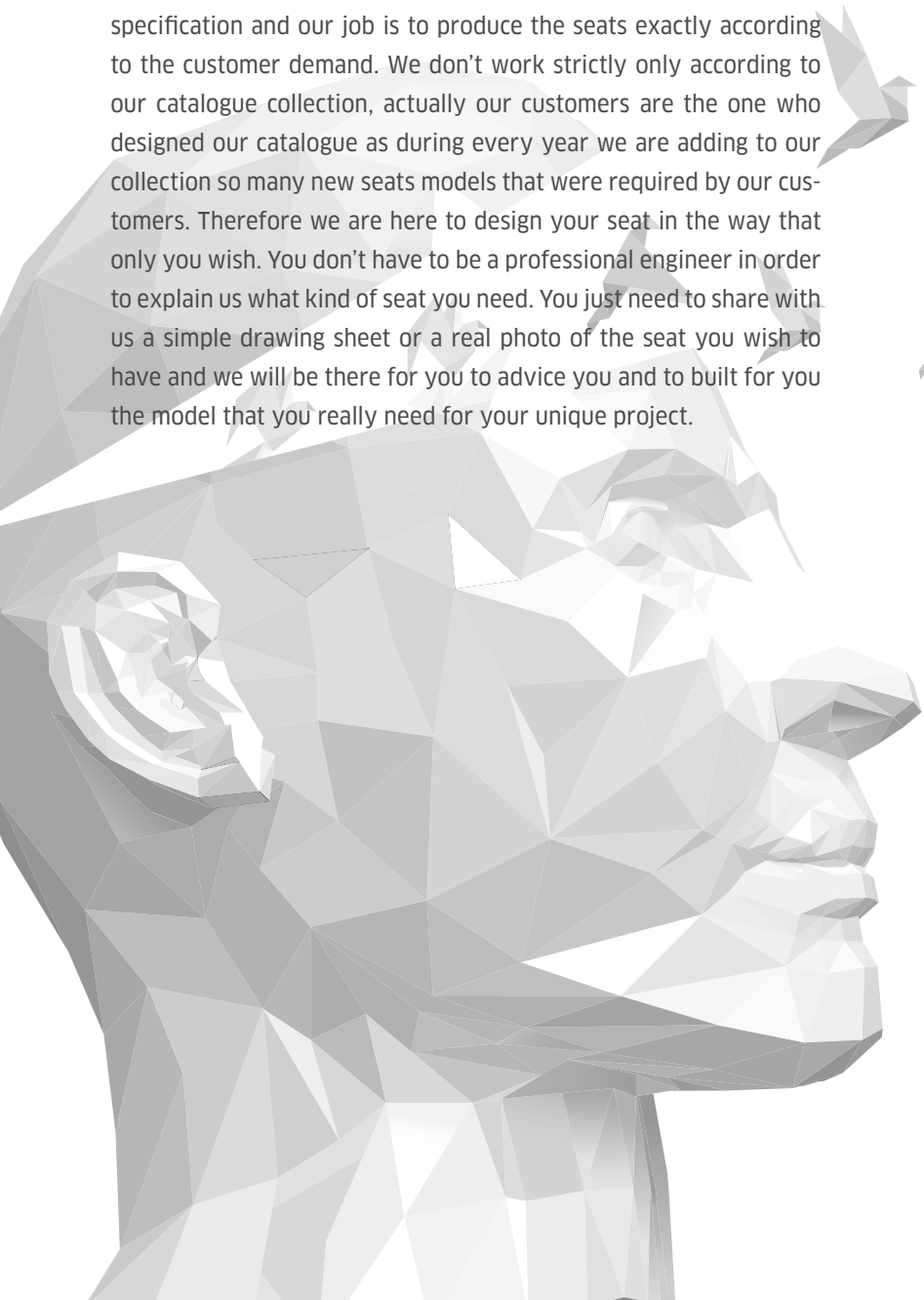
Armrest Width 6 cm

- The back and seat foams are produced as molded foam in aluminium molds.
(Foam Standart MVSS 302)
- Back foam molded on the metal frame (EN 12727 / 3.1)
- Seat foam molded on the metal frame (EN 12727/3.1)
- The PU Lader / Fabric has a flammability property (B1, DIN EN 1021)
- Seat has a durable metal feet (EN 12727 / 3.1)
- Seat cushion has a shutdown feature with the weight system
- Writing table has antipanic system and the table is covered with membranes.
- Metal parts are painted with epoxy polyester based powder paint.(60 mic.)



CUSTOM MADE SEATS

Our producing line based on custom made seats. Customers are reaching us from all over the world and sharing with us their seat specification and our job is to produce the seats exactly according to the customer demand. We don't work strictly only according to our catalogue collection, actually our customers are the one who designed our catalogue as during every year we are adding to our collection so many new seats models that were required by our customers. Therefore we are here to design your seat in the way that only you wish. You don't have to be a professional engineer in order to explain us what kind of seat you need. You just need to share with us a simple drawing sheet or a real photo of the seat you wish to have and we will be there for you to advice you and to built for you the model that you really need for your unique project.





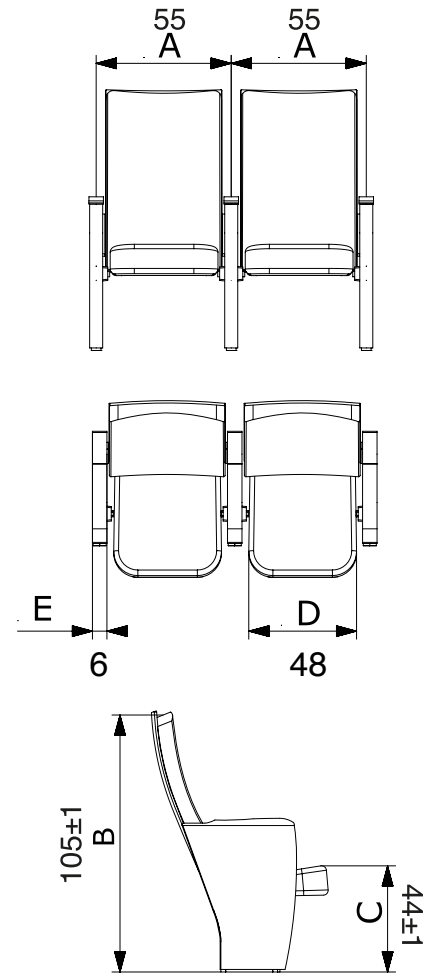
ELEGANT SERIES

WELCOME TO OUR ELEGANT SERIES!

This series just as it called, it's very elegant comfortable and practical. It's common choice for schools, universities and other institutes including traditional cultural centers. SeatUp Europe[®] is waiting for you with the Elegant Series.

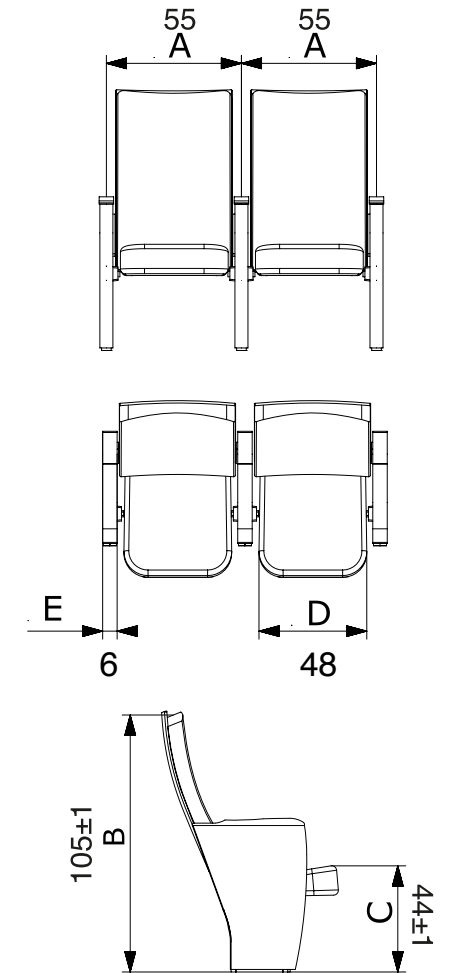
All the seats in the Elegant series can be produce with Anti Panic Table System!

EG-400



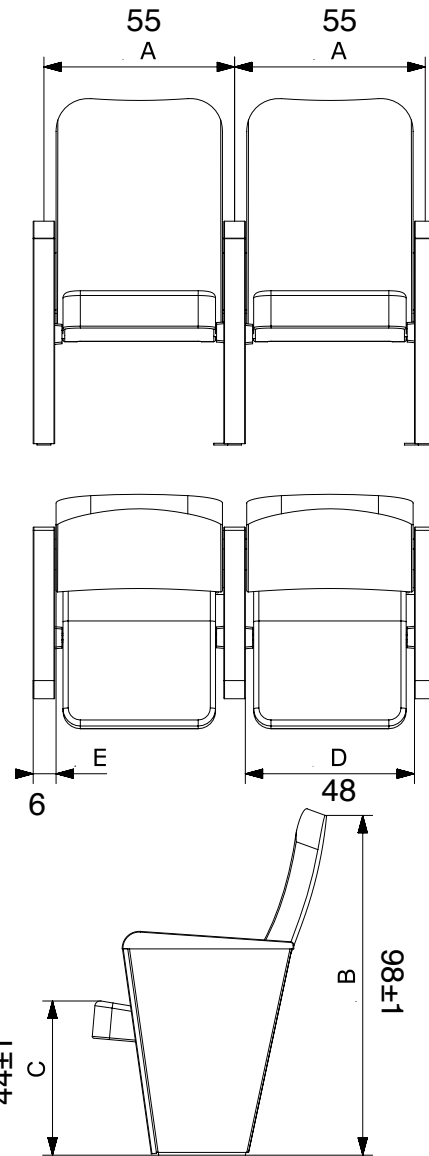
	S	L	XL	S01	XL01	V 01
A	55	55	55	55	55	54
B	95±1	98±1	105±1	95±1	105±1	98±1
C	44± 1	44± 1	44± 1	44± 1	44± 1	44± 1
D	48	48	48	48	48	48
E	6	6	6	6	6	6

EG-300



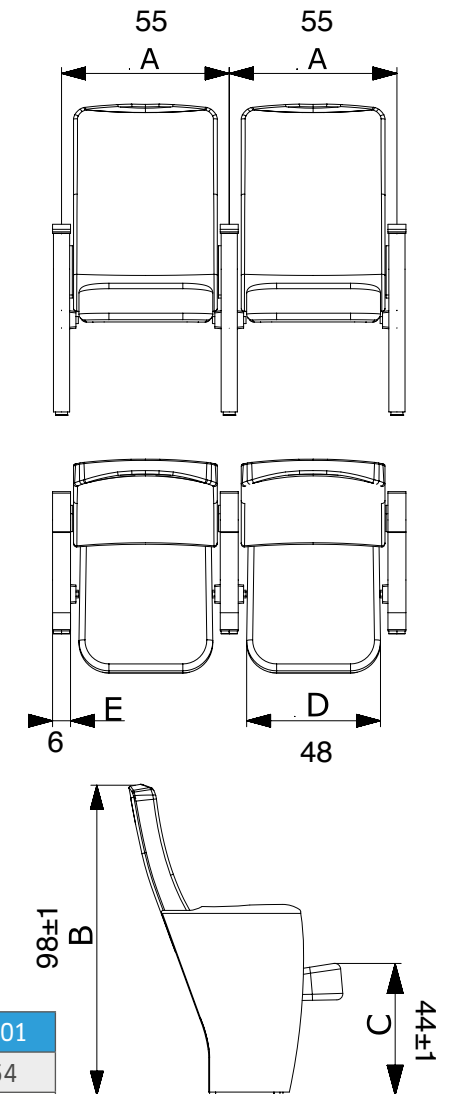
	S	L	XL	S01	XL01	V 01
A	55	55	55	55	55	54
B	95±1	98±1	105±1	95±1	105±1	98±1
C	44± 1	44± 1	44± 1	44± 1	44± 1	44± 1
D	48	48	48	48	48	48
E	6	6	6	6	6	6

EG-500



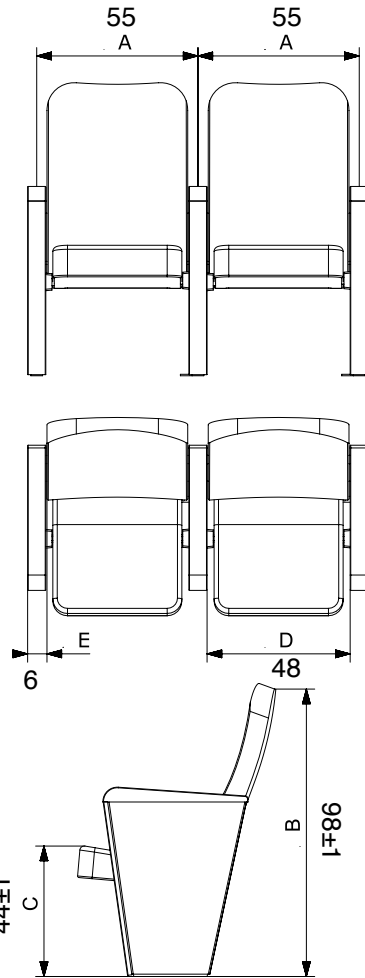
	L	XL
A	55	55
B	98±1	105±1
C	44± 1	44± 1
D	48	48
E	6	6

EG-600



	S	L	XL	S01	XL01	V 01
A	55	55	55	55	55	54
B	95±1	98±1	105±1	95±1	105±1	98±1
C	44± 1	44± 1	44± 1	44± 1	44± 1	44± 1
D	48	48	48	48	48	48
E	6	6	6	6	6	6

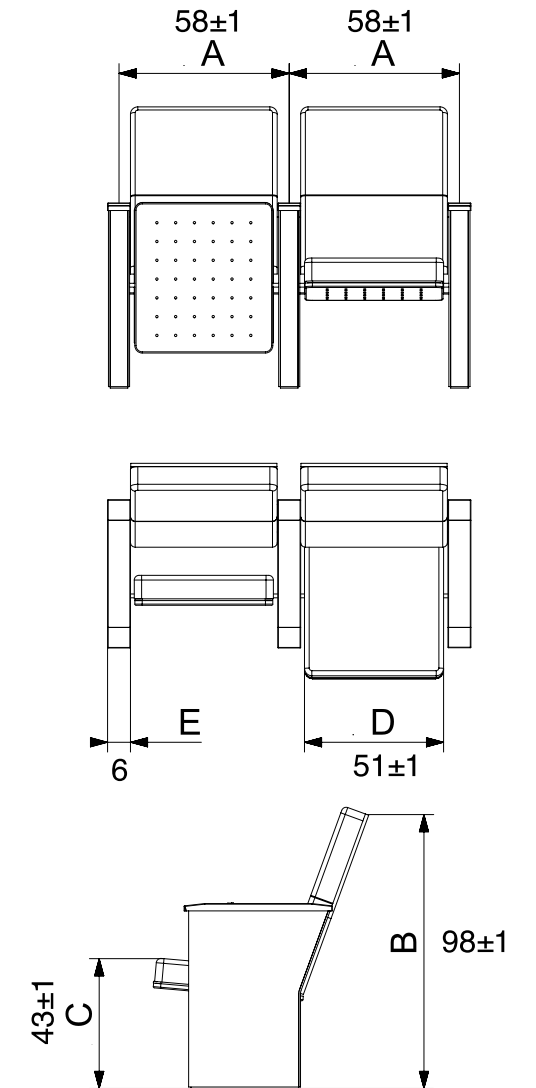
EG-700



	L	XL
A	55	55
B	98±1	105±1
C	44± 1	44± 1
D	48	48
E	6	6

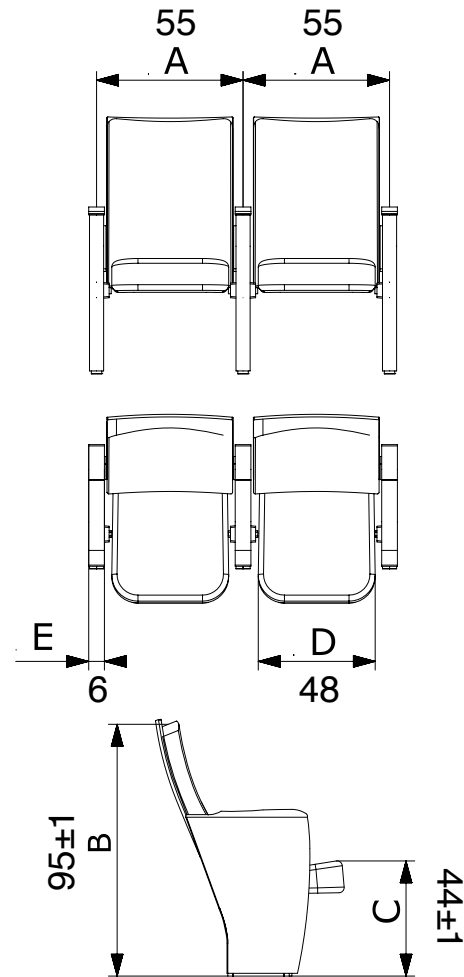


EG-100





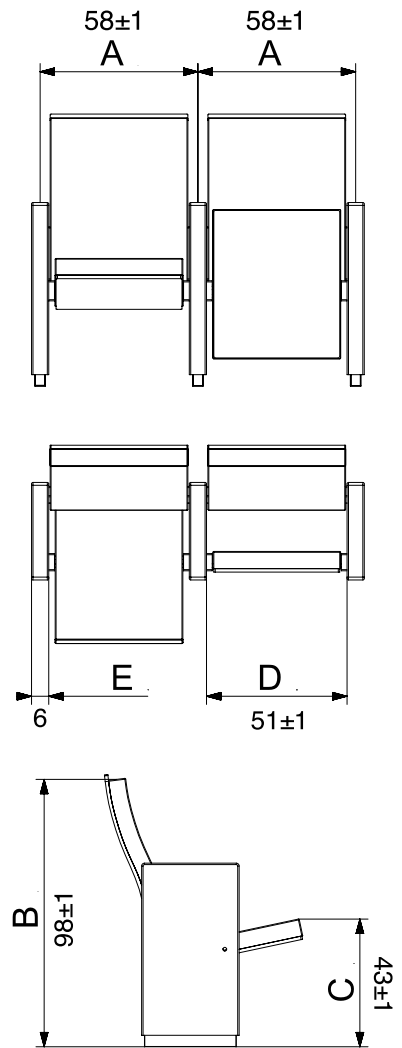
EG-200



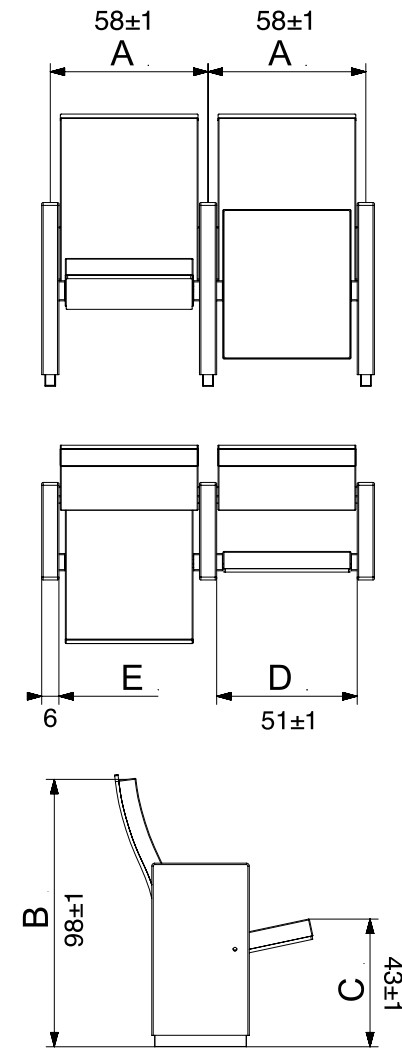
	S	L	XL	S01	XL01	V 01
A	55	55	55	55	55	54
B	95±1	98±1	105±1	95±1	105±1	98±1
C	44± 1	44± 1	44± 1	44± 1	44± 1	44± 1
D	48	48	48	48	48	48
E	6	6	6	6	6	6



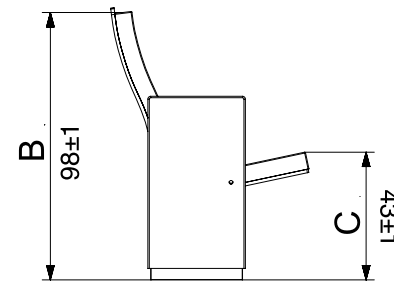
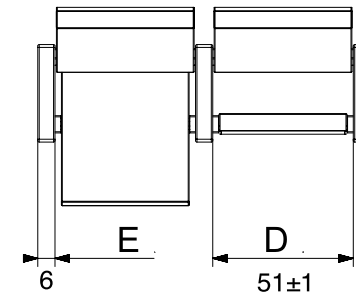
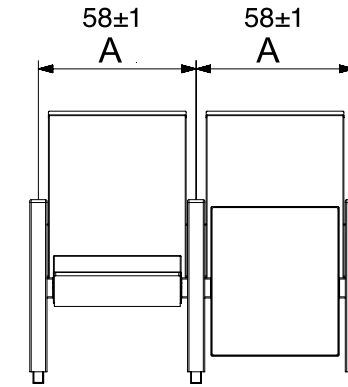
EG-750



EG-800

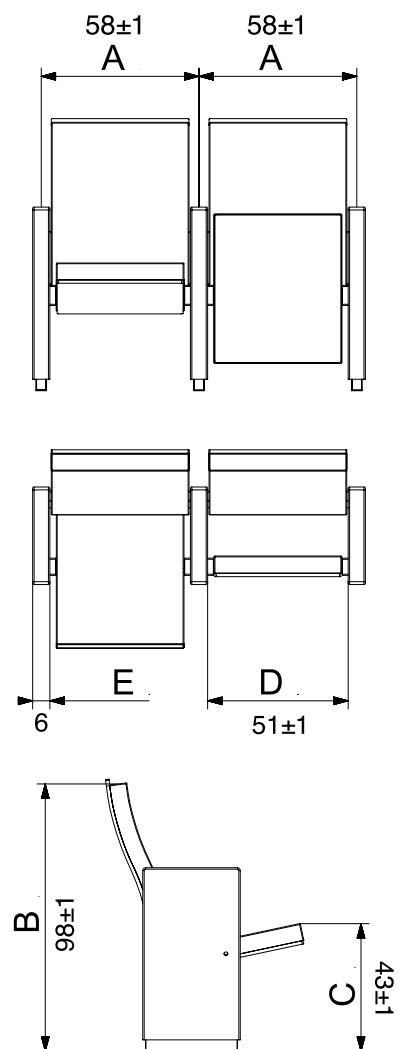


EG-900

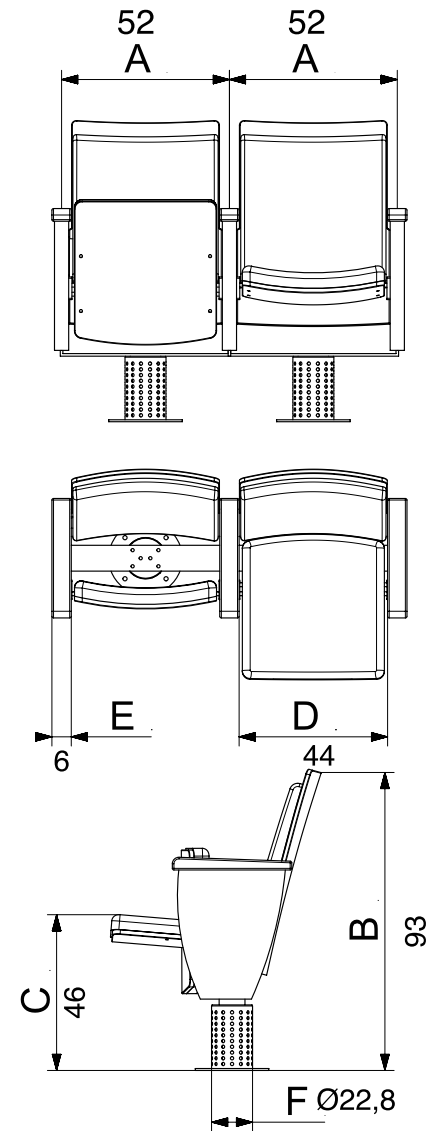
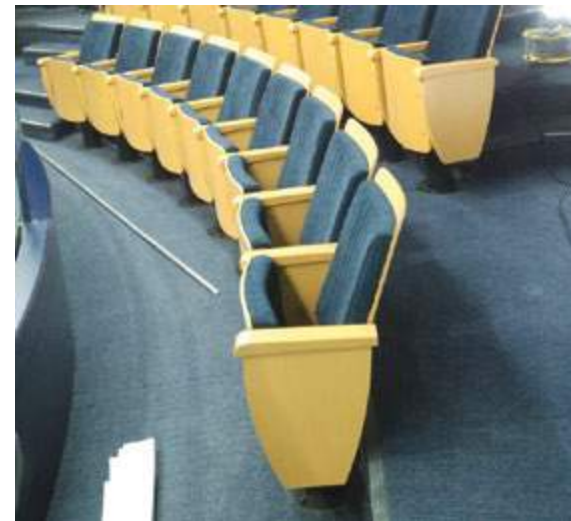




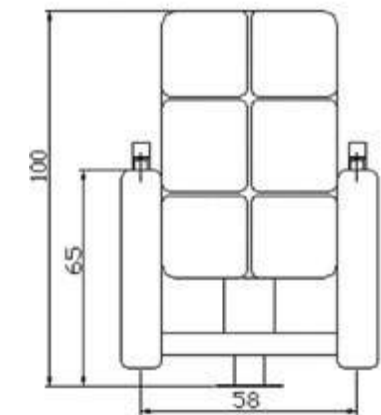
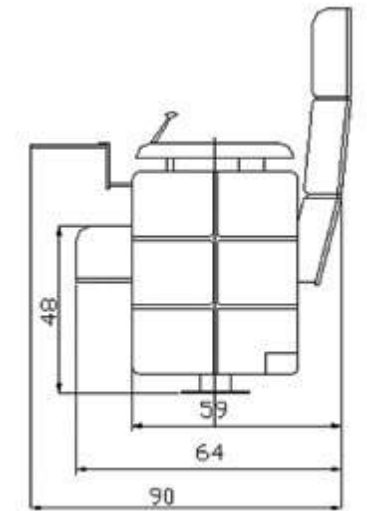
EG-950



EG-AIRTUP



VIP 1400





*Every seat model can be produce with USB connection in the armrest!
Our USB connector is durable and has the capacity for triple input, meaning at each armrest you will have the ability to charge 3 phones at the same time.*

What are the new innovation for Conference Seating in 2020?

More combination of wooden parts such as Acoustic panels on seats Shield, and preferring mono leg instead of the classic double leg.







THE VIP SERIES

WELCOME TO OUR THE VIP SERIES!

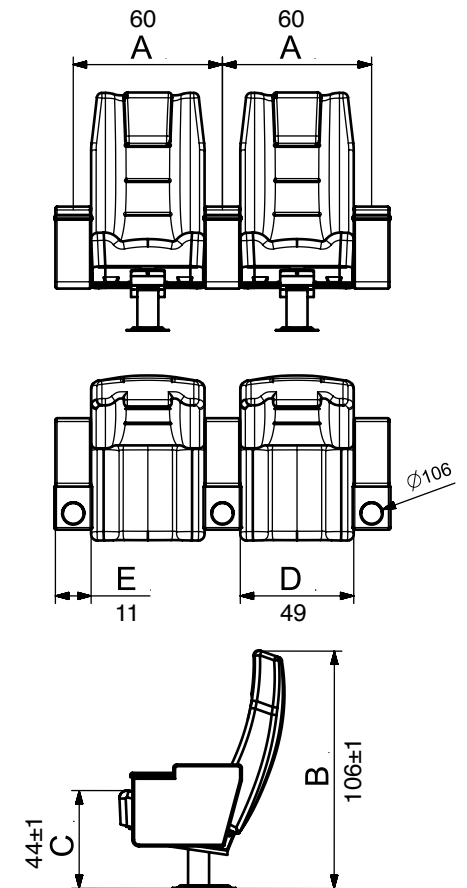
This series is the most common choice for governmental projects or convention centers projects. All the seats in this series have been built for important and highly respectable halls.

Pay attention that the seats on this series are suitable for cinema salons as well. SeatUp Europe[®] is waiting for you with the VIP series.

VIP-100



	S	L	XL
A	60-62	60-62	60-62
B	95±1	106±1	112±1
C	44± 1	44± 1	44± 1
D	49	49	49
E	11	11	11



VIP-200

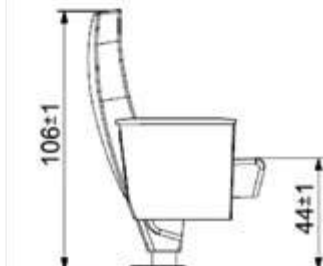
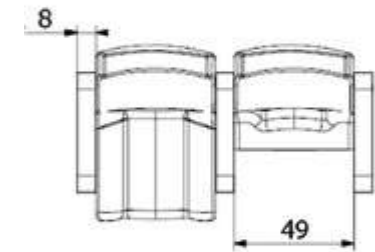
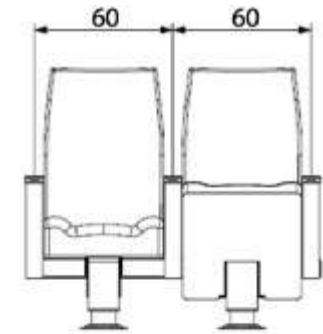


SPECIFICATION

- Warranty 5 years. Producing according to ISO 9001:2008 certificate.
- The foam of seat and backrest are ergonomics and have density of 0.5 +/- 0.05 kg/m³. The skeleton of the backrest has metal pipe 21 x 1.5 mm, inside the seat foam solid surface of plastic injection can be found.
- Our foam of seat and backrest made of anti flame polyurethane injection, injected to aluminum pattern. Shape of the foam will be in accordance with the drawing and picture of the product model VIP 200.
- The foam of the seat and backrest must be covered with the fabric of the specified technical specifications.

- (mon arm) manufactured in accordance with required number of seats which fit in hall. Seat arms are wooden and a single plastic cup holder can be added as additional.
- Seats will be connecting each other by minimum 6mm unseen metal joint. 4 bolt connections between armrest will provide rigidity.
- Inner skeleton of the armrest is minimum 6 mm metal part.
- Chair seat can be provided as fixed or folding by gravity or folding by spring system. The back rest can be provided as fixed or as swing back ability.
- There will be no slippage or transport at the junctions of the metal parts. Sources continue along all surfaces and there will be no pores.
- Metal parts will be well welded, the burrs of the cuts will be cleaned and the outer surface parts will be no sharp parts.
- There will be no skewness, or similar imperfections in the metal parts. Carrier of feet made 100 x 100 x 2.5mm metal profile.
- Pipes : TS 416/1 TS 6476
- Profiles : TS 6475 ,TS 5317
- Miller: Transmission and vending machines.
- All metal parts and surfaces parts will be cleaning from oil and dirt before painting.
- The surfaces to be painted after chemical cleaning with epoxy polyester based powder paint.
- There will be no differences in scratches and color tones of the metal parts and other surfaces.
- The electrostatic paint will be hard and slippery with thickness of at least 60 micron.

	S	L	XL
A	60-62	60-62	60-62
B	95±1	106±1	112±1
C	44± 1	44± 1	44± 1
D	49	49	49
E	8	8	8



FABRIC/LEATHER SPECIFICATION

- Fabric / leather Without fading in color without error in the finish and without change in form and in full accordance with the requirements of the project.
- Logo or numbers will be printed on the the headrest of the back of the seat according the project details.
- The upholstered parts of the seats will fit the dimensions and details specified in the enclosed project. The seat and backrest and the flooring materials used in the seating areas will be seamless and monolithic.
- Fabric / leather with minimum 5 mm anti flame lamination foam.



SEAT FOAM FEATURES

- The PU sponge (foam) used in the arm physical properties and breaking strength : (ISO 1798-76) 108 Kpa
- Tearing strength : (ASTM-D3574) 1,47 N / cm
- Hardness strength : ILD % 50 (ISO 2489 - 80) 20 kgf
- Permanent deformation : % 50 (ASTM - D 3574) < % 8
- Burning speed : MVSS 302
- Density: 55 kg/m3 (+/- 5kg/m3)

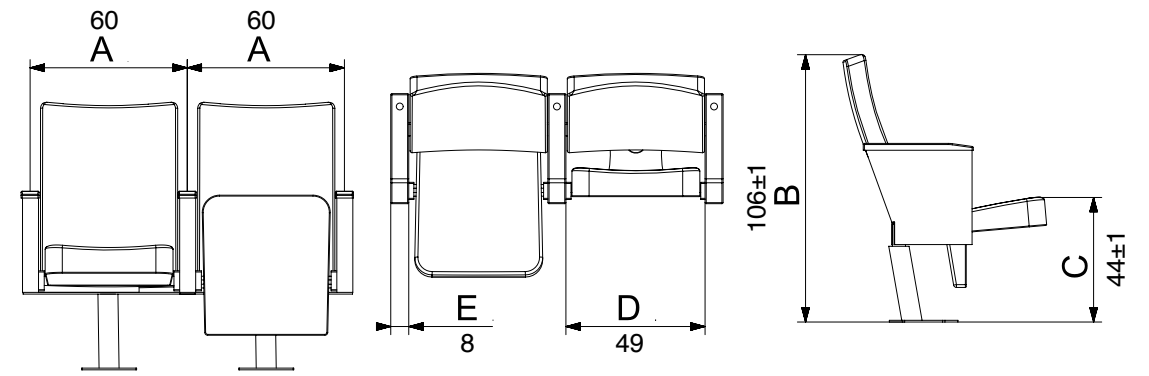
Note: In additional price BS7176 and Crib5 standards available for maximum anti flammability.





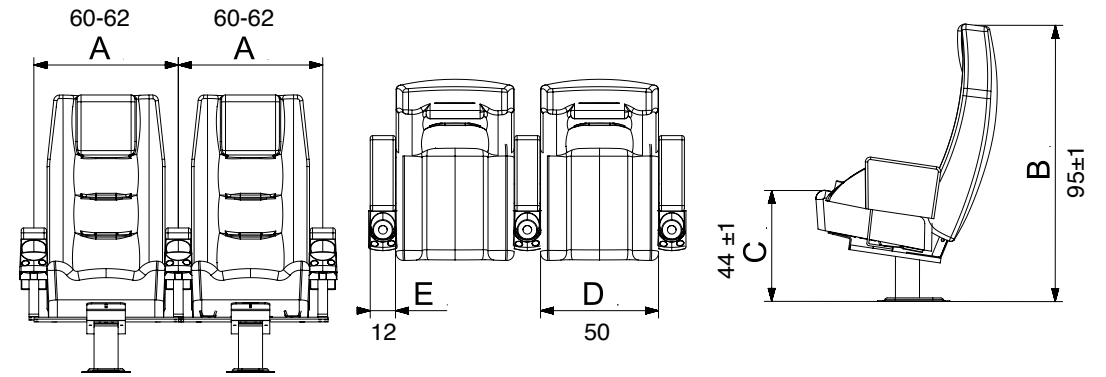
01

VIP-300



	S	L	XL
A	60-62	60-62	60-62
B	95±1	106±1	112±1
C	44± 1	44± 1	44± 1
D	49	49	49
E	11	11	11

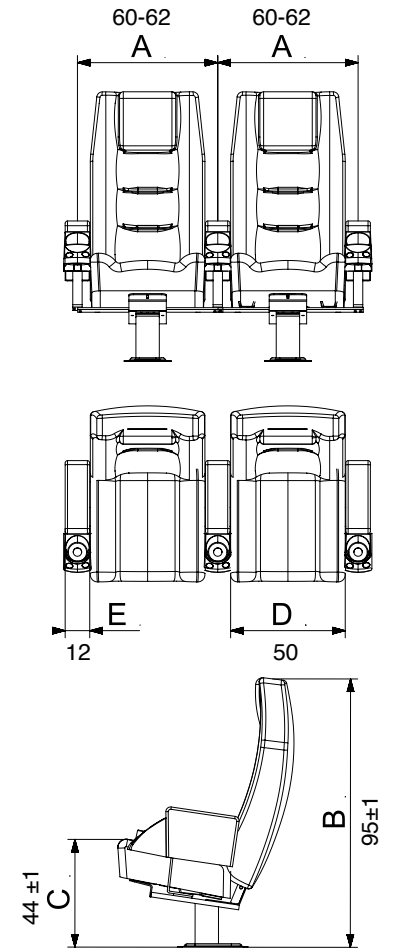
VIP-400



	S	L	XL
A	60-62	60-62	60-62
B	95±1	106±1	112±1
C	44± 1	44± 1	44± 1
D	50	50	50
E	12	12	12



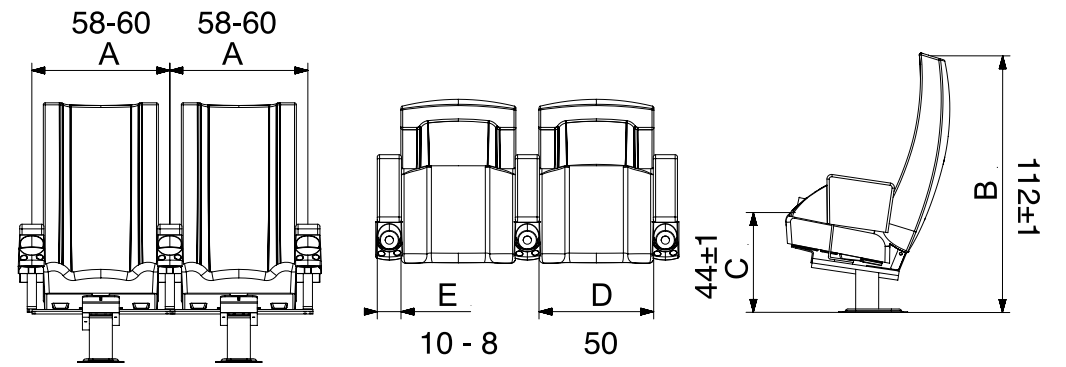
VIP-500



	S	L	XL
A	60-62	60-62	60-62
B	95±1	106±1	112±1
C	44± 1	44± 1	44± 1
D	50	50	50
E	12	12	12



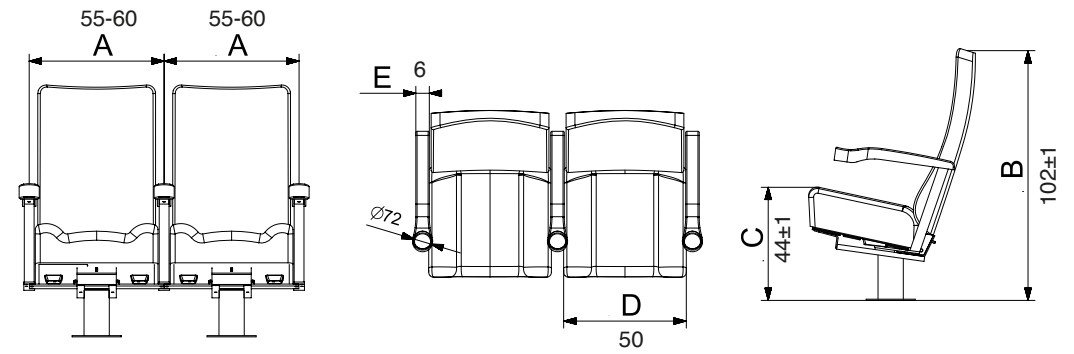
VIP-600



	S	L	XL
A	58-60	58-60	58-60
B	95±1	106±1	112±1
C	44± 1	44± 1	44± 1
D	50	50	50
E	10 - 8	10 - 8	10 - 8



VIP-700



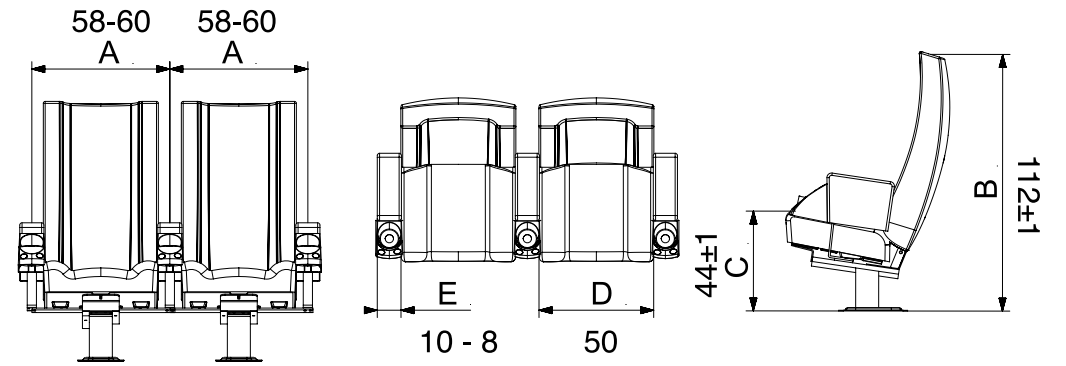
	L	XL
A	55-60	55-60
B	95±1	102±1
C	44± 1	44± 1
D	50	50
E	6	6





*Every seat model can be produce with USB connection in the armrest!
Our USB connector is durable and has the capacity for triple input, meaning at each armrest you will have the ability to charge 3 phones at the same time.*

VIP-800



	S	L	XL
A	58-60	58-60	58-60
B	95±1	106±1	112±1
C	44± 1	44± 1	44± 1
D	50	50	50
E	10 - 8	10 - 8	10 - 8



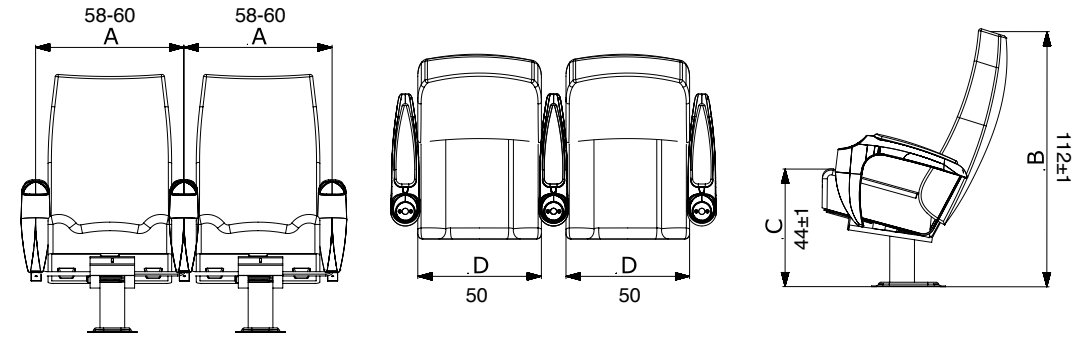


CINEMA SERIES

WELCOME TO OUR CINEMA SERIES!

Cinema Salons nowadays are everywhere! and they are not anymore only in malls, we see now more and more projects of cinema salons in private villas and country clubs. Even schools and institutes started to create their own movie theater, from a public cinema salon to a private home cinema SeatUp Europe® has all what you need for any cinema project, with a wide range of cinema seats collection and with non stop developing of new models we sure together with you we can create a new perfect cinema salons that will bring joy & happiness to the crowd. Our models serving famous Cinema branches all around the world.

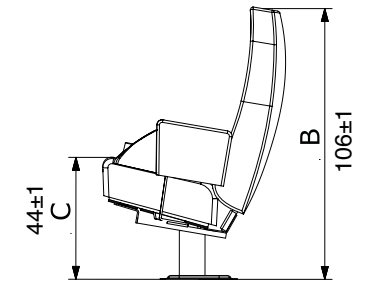
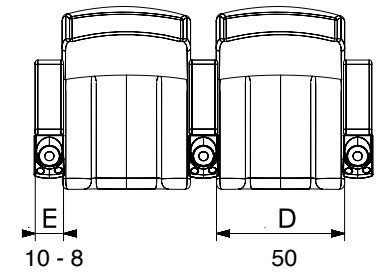
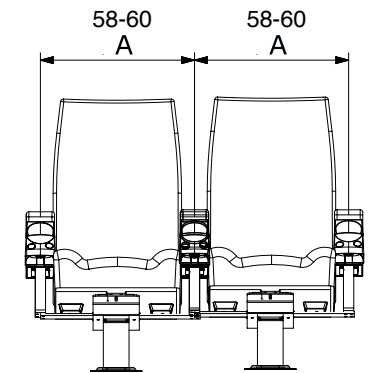
CN-100



	S	L	XL
A	58-60	58-60	58-60
B	95±1	106±1	112±1
C	44± 1	44± 1	44± 1
D	50	50	50
E	12	12	12



CN-300

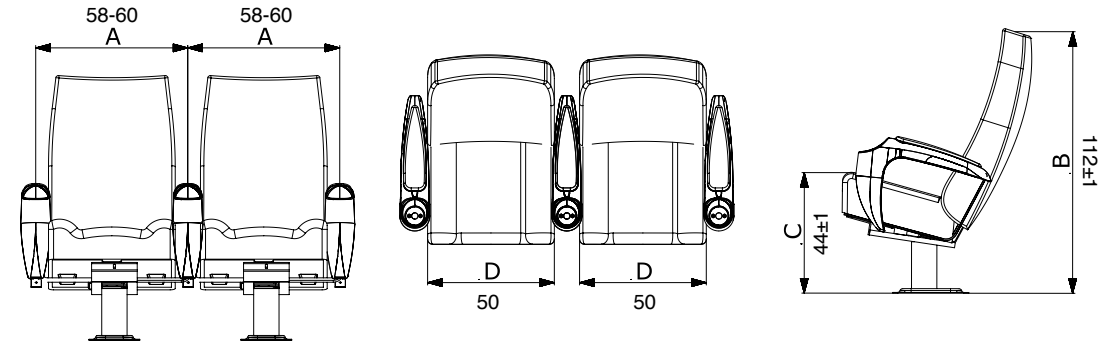


	S	L	XL
A	58-60	58-60	58-60
B	95±1	106±1	112±1
C	44± 1	44± 1	44± 1
D	50	50	50
E	10 - 8	10 - 8	10 - 8



CN-400

12



	S	L	XL
A	58-60	58-60	58-60
B	95±1	106±1	112±1
C	44± 1	44± 1	44± 1
D	50	50	50
E	12	12	12



CINEMA LUX - 1



Different Color Options

CINEMA LUX - 2



CINEMA LUX - 3



CINEMA LUX - 4

Home cinema seating with motor, With buttons on the sides of the seat, you can open a cushion for your legs and lean back till full reclining. Special sensor will allow the seat to be close automatically to normal position when you get up from the seat. Electric folding dining table, cup holder with system for heating or cooling drinks are available.



CINEMA LUX - 5

Luxury sofa for full reclining and with bag to put the shoes, in use in cinemas as VIP seats.



CINEMA LUX - 6



CINEMA LUX - 7



CINEMA LUX - 8



CINEMA LUX - 9

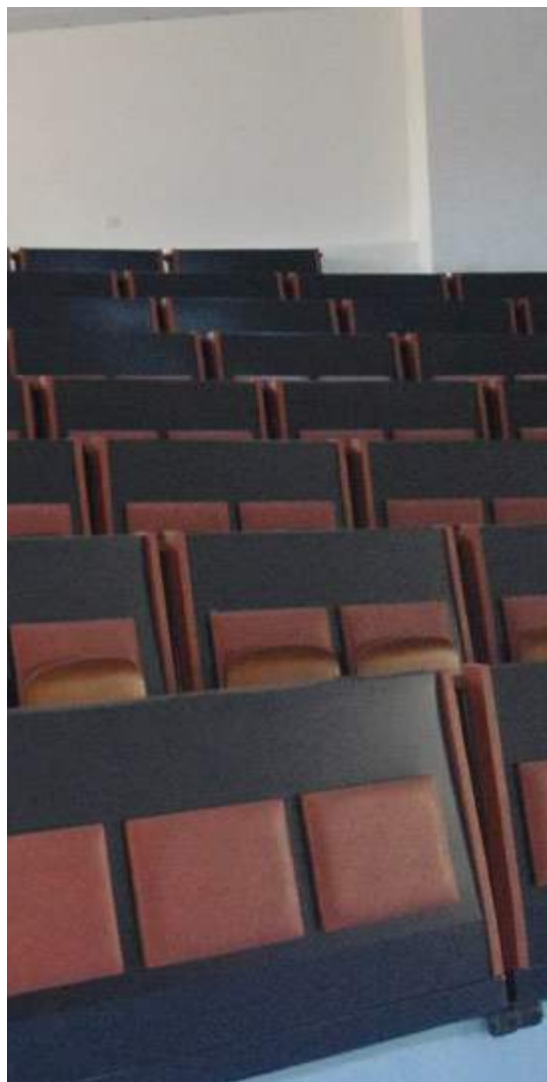


Bring the cinema to your home, or bring your home to the cinema... with our recline seats you will always feel just like in home. Our recline seats have automatic sensor so the cushion for the legs will close automatically when you get up from the seat .

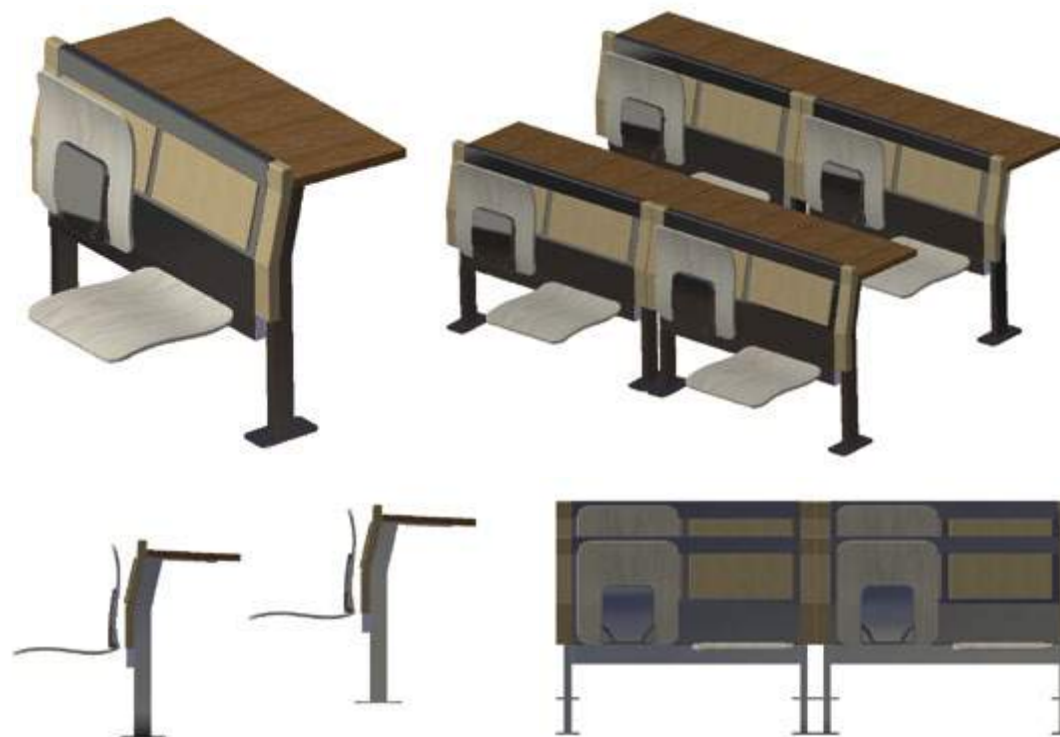


LECTURE HALL





Classic Amphitheater seating for schools and universities. Models are custom made according your project.





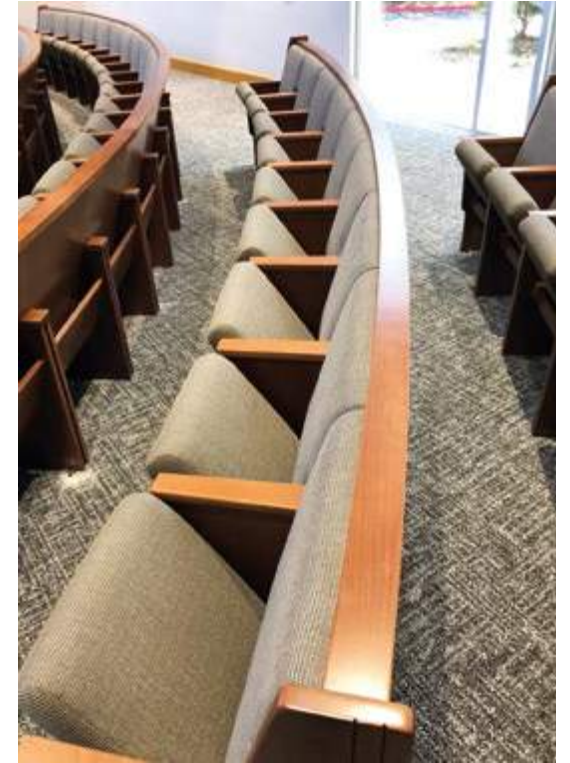
We are the first and only company in Europe who produce the Swing away seating system! Swing away seating system are the most common seating system in colleges in America, It is the best way to keep a class room always tidy and clean.



Swing away seating system the best solution for lecture hall and classrooms!

WHORSHIP SEATING

Wooden benches for churches and synagogues with high quality upholstery suitable for long hours of sitting.



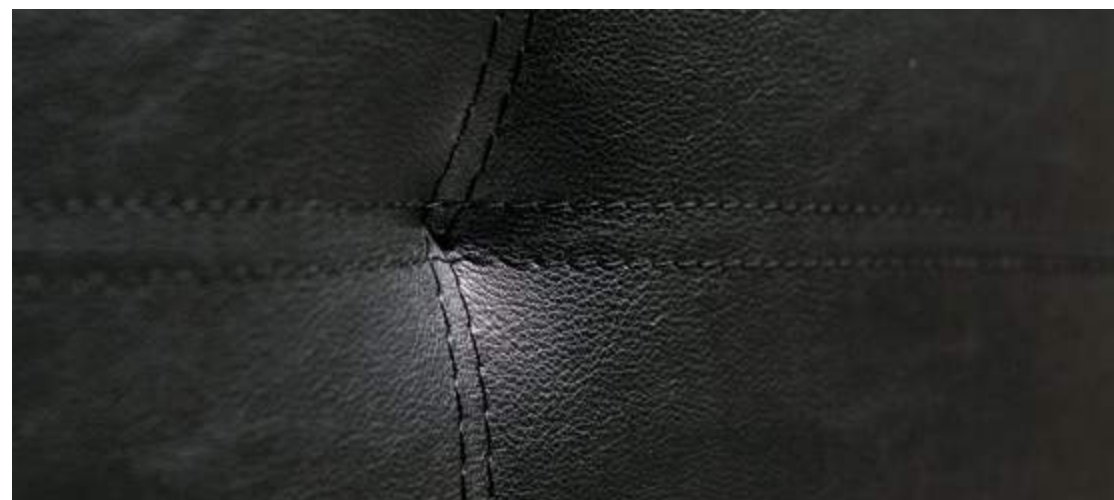


HOTEL SERIES

WELCOME TO OUR HOTEL SERIES!

This series is a combination of luxury sofas and cafe-restaurant chairs beside creative and simple seating solutions for lobi, whether if it's a lobi of cinema halls, shopping centers or hotels, SeatUp Europe[®] is here to provide you with the solution you need.

RELAX-100



RELAX-200



KINO-100



CHESTER SOFA



ELEGANTO 100



CHESTER CHAIR



ELEGANTO 200



VINTAGE









—● **Hotel project?
Bar-Restaurant project?
Cafe Project?
We are your partner!**

The most important thing in furniture projects for restaurants, bars, cafes and hotels is the flexibility of the manufacturer to adapt his product to the client's needs and according to the architect's design. The manufacture of sofa chairs and seats according to the customer's request is something we specialize in and can provide it in a short time and very efficiently. So whenever you have a project that needs a creative furniture solution for public places we're the right address. Our interior designers team can help you find a suitable solution for the project. Please feel free to contact us with any questions.

PUFF SERIES





STADIUM SERIES

WELCOME TO OUR STADIUM SERIES

In our factory we have our own plastic injection machine to produce stadium plastic chairs.

As well SeatUpEurope[®] has much more to offer you: We develop VIP Seats for Stadium and sport salons and these models are serving Important and fancy sports clubs in Europe and around the world.

As well recently we became a main role in europe and in the middle east for the production of telescopic seating systems and portable seating system.

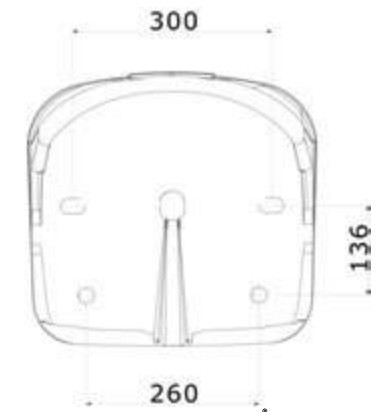
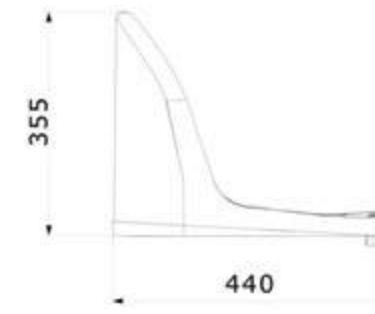
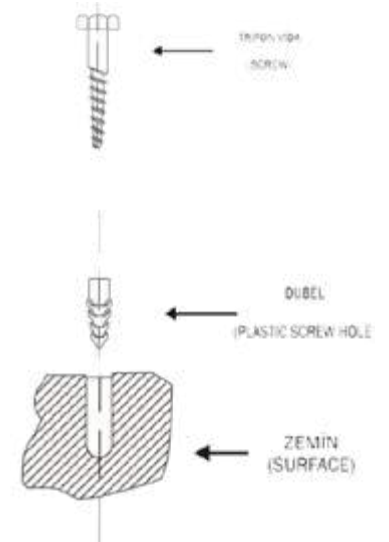
Thanks to the metal section in our factory which has been extended for that purpose.has been extended for that purpose.

STADIUS 220



General Features

- Producing according to ISO 9001:2008 management system.
- Our products stand the standards of: V2-UL94 (Flammability), ISO4892-2 (Ultraviolet) and TSEN12727 (Unbreakable).
- All the metal parts that are in use in our products are: TS EN 10204 3 / 1 standard.
- We only use original raw materials during the producing process.
- In order to provide maximum protection from sun light in outdoor and lights in indoor we use: Ultraviolet stabilizer.
- We only use high quality colors in order to avoid fading of Colors as result of exposure to sunlight or other lights.
- The structure of the back and the seat of our seats is built as orthopaedic in order to avoid uncomfortable feeling while sitting for long time.
- As a result of using original raw materials with high quality our stadium seats always looks shiny and have live color.
- Our stadium chairs have 4 mounting points and for each point there is hard plastic cover for protection and for esthetic.
- In the center of our stadium chairs there is a canal that will collect out water in a case of rain or humidity and therefore the chair will stay dry rather if it's located in indoor or outdoor area.

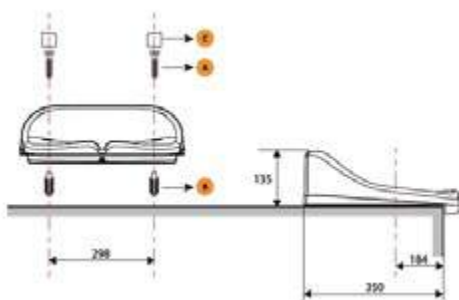




STADIUS 111



500 Torx/Vis Screw	Ø 10x10 Nut Dowel	Tap Cap
2 Adm 2 Pieces	2 Adm 2 Pieces	2 Adm 2 Pieces



STADIUS TIP-UP 401

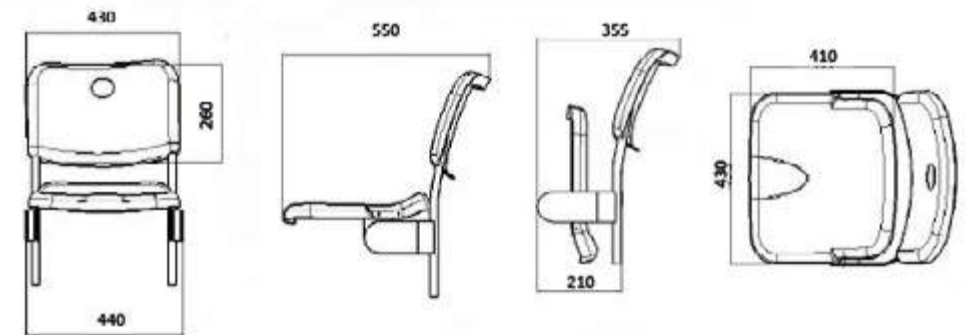


General Features

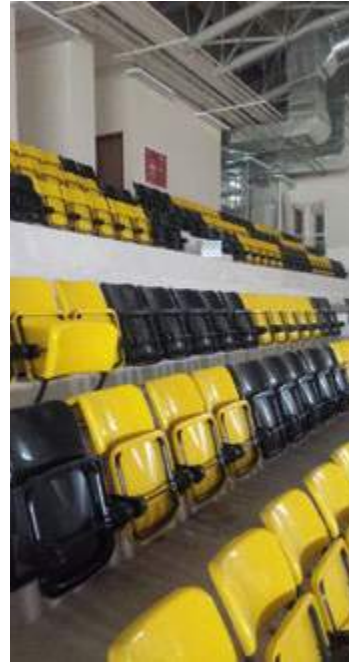
- The stadium seats will be produced by polythene or polypropylene materials which have high-strength values.
- In raw material doesn't have non-standard (scrap) and weighting material filler.
- UV stabilizer for protective purposes and paint to prevent discoloration to be added in the raw materials which will be used to production folding stadium seat on request.
- Maximum-resistant paint is used to against the light.
- Production is carried out according to ISO 9001:2008 quality management system.
- Due to the use of the original raw materials, our stadium seat colors are bright and vivid.
- 4 Point made easy mounting provides the necessary rigidity.
- With the metal washers on the mounting points and relaxation resistance to breakage is increased STADIUS 401

- Certainly not on the water bar.
- On the seat through the discharge channel, the water would drain at the bottom rung of chairs.
- Back and legs that will not disturb the structure and orthopedic seating is capable of.
- In line with customer demand; Ultraviolet Stabilizers spiked, fire retardant additive, light of sensitivity, impact resistance against high product can be produced.

Note: The STADIUS 401 model can be produced with many versions and with combination between the versions such as : -with upholstery, -with armrest, -with writing table, with fixing legs to the floor, with fixed method to floor, and more.



STADIUS TIP-UP 401



STADIUS TIP-UP 401

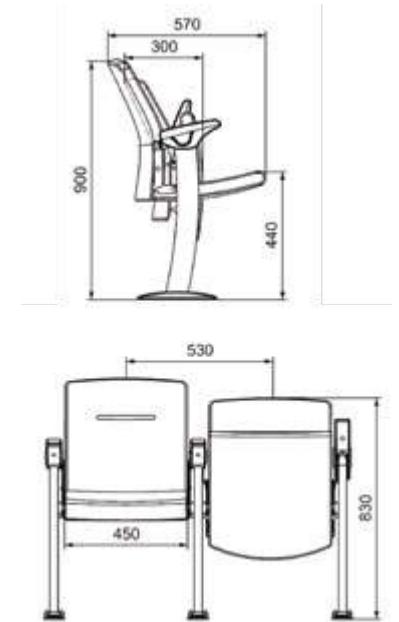


VIP SEATUP2 ANTI PANIC



- Product has certified according to TS EN 12727.
- Seatrest and backrest frame are steel construction and are covered by foam at the density of 50 ± 5 (kg/m^3) in special aluminium moulds.
- Framed seatrest and backrest foam surfaces are upholstered with desired fabric, leather or artificial leather.
- Armrest structure is manufactured by aluminium, armrest is manufactured by ABS plastic material.
- Armrests have antipanic feature. When user stands up from sitting position, backrest and armrest are closed together.
- When armchair is closed, it occupies as armrest carcass width and leaves a wide usage area for user at the passing area.
- Product is covered by nylon and packed into cartoon box.

Note: This model can be produce with many versions such as : - fixing to stairs, fixing to floor with 2 legs and for Telescopic systemes.



PLAYER SEAT

We are producing varieties of player seats including the bench and the Shelter construction with unbreakable and Anti UV fiber glass roof.

Models can be custom made.



NEW PRODUCT

BLOW MOLDING SEATS

For stronger and extra durability performance we present our new Blow Molding Stadium Seats.





TELESCOPIC SYSTEM

**WELCOME TO OUR
TELESCOPIC SYSTEM**

 www.seatuptelescopic.com

TELESCOPIC SYSTEMS

The purpose of this technical specification; Telescopic Grandstand will be used for the manufacture of all kinds of devices, equipment and grandstands national and / or international standards to ensure the safety of life and property in accordance with the principles of determining the arrangements to be made. According to the static calculations and architectural design of the project which will be the statistical value of the steel material to be used in the system in the (TSE EN 10219-2) standard; steel material is used. Lightweight Galvanized, specially formatted perforated U-profile are the main carrier of the profile systems with ST37 boxes manufactured, all along has been developed together with coarse and fine products.

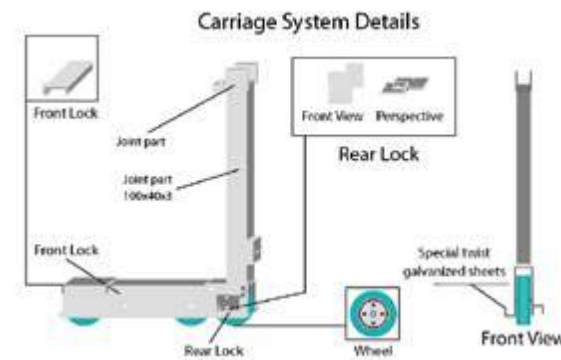
TELESCOPIC GRANDSTAND FEATURES

Telescopic grandstands total 3 and Platform 4 will consist of ordinary. Width for Platforms starting from the Ground will be 80 cm, Width only for the bottom Platform will be 125 cm. When the Telescopic Grandstands are open it will be 285 cm. When the Telescopic Grandstand closes, the Platforms will hide into the last Platform and will cover 100 cm space.

PLATFORM AND CARRIER FRAME FEATURES

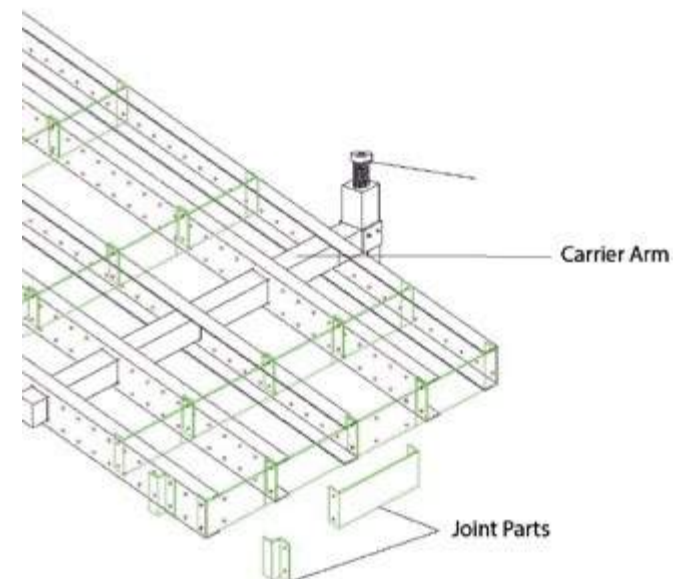
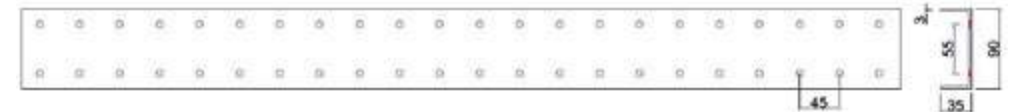
Skeleton of the platform in the manufacturing of 2 mm galvanized sheet metal bent in special forms and sizes ISO 1461/1999 (E), DIN EN 1461 standard perforated sheet metal to be used.

Only in the vertical and horizontal carrier box profile will be used. When they are joined with other carriers rivet welding will not be used.



Quick and most cost effective way to fix any faults that may arise later it will be attached with bolts and nuts. Welding will not be used in anyway on the skeleton of the Platform. Welding will only be used on the connection of platform and the electric motor.

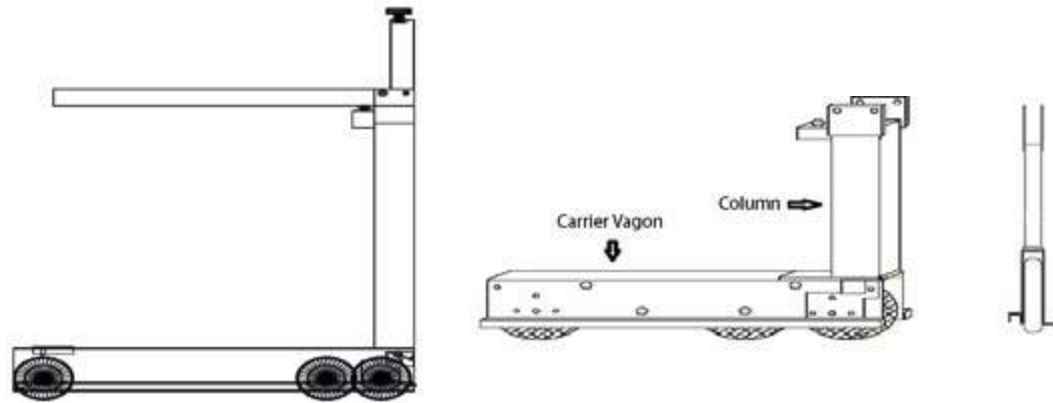
Carrier Platform U Profile



Materials used for the manufacture of the Telescopic Grandstand and railings are below;

- Pipes DIN 2394
- Box Profiles DIN 2395
- Lama (Metal piece) DIN 1016

Gas Metal Arc Welding will be used for the manufacture of the Structure. Welding method-da DIN 8559 - AWS 5, BS EN 288 Part 3 1988 Standards will be applied. Wire used ill meet SG2 standards.



THE SCARECROW AND THE ESTABLISHMENT OF THE BARS:

For the installation of Railing, should be placed on its side, using screws as shown in the illustration every railing should be mounted onto a platform.

Bolts must be placed as shown in the image.

Supporting structure and railing shall be coated with hot dip galvanizing method.

SHUTTING DOWN PLATFORMS AND THE STAIRS

Platform and the stair will be covered with 12mm Thick Polywood. 2 mm thick acoustic PVC floor tile will be applied ontop. The stairs will be in 100x33 cm min.



WHEELS

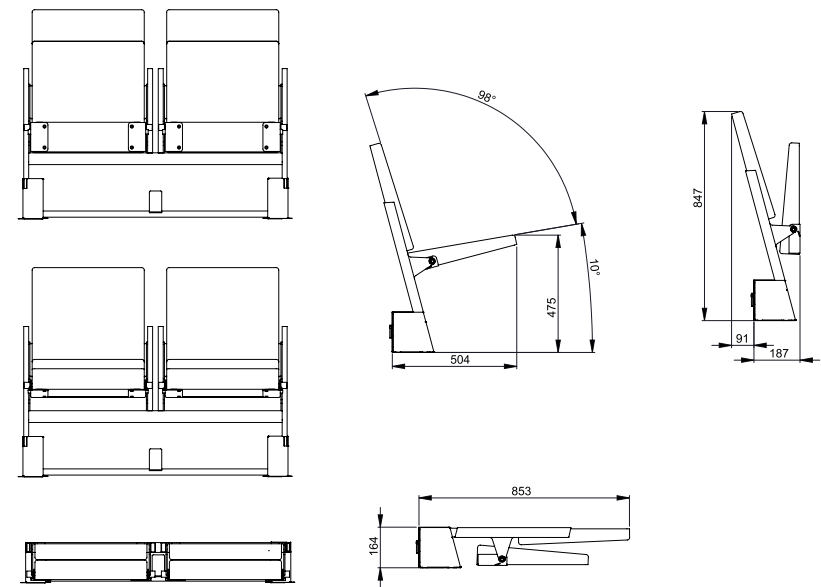
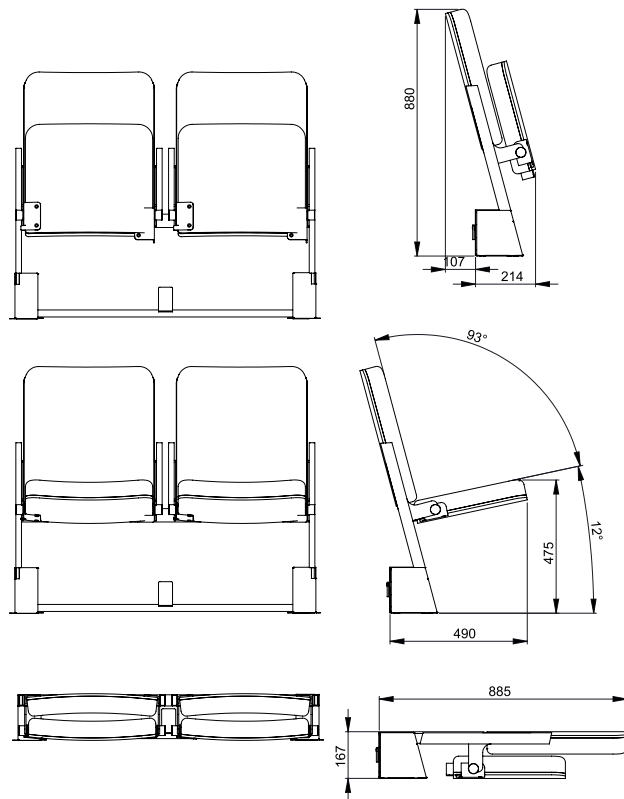
The carrier wheels to be used will be selected according to the nature of the area. Wheel diameter \varnothing 150x45 mm, carrying capacity 500 kg per wheel.

ELECTRIC MOTOR

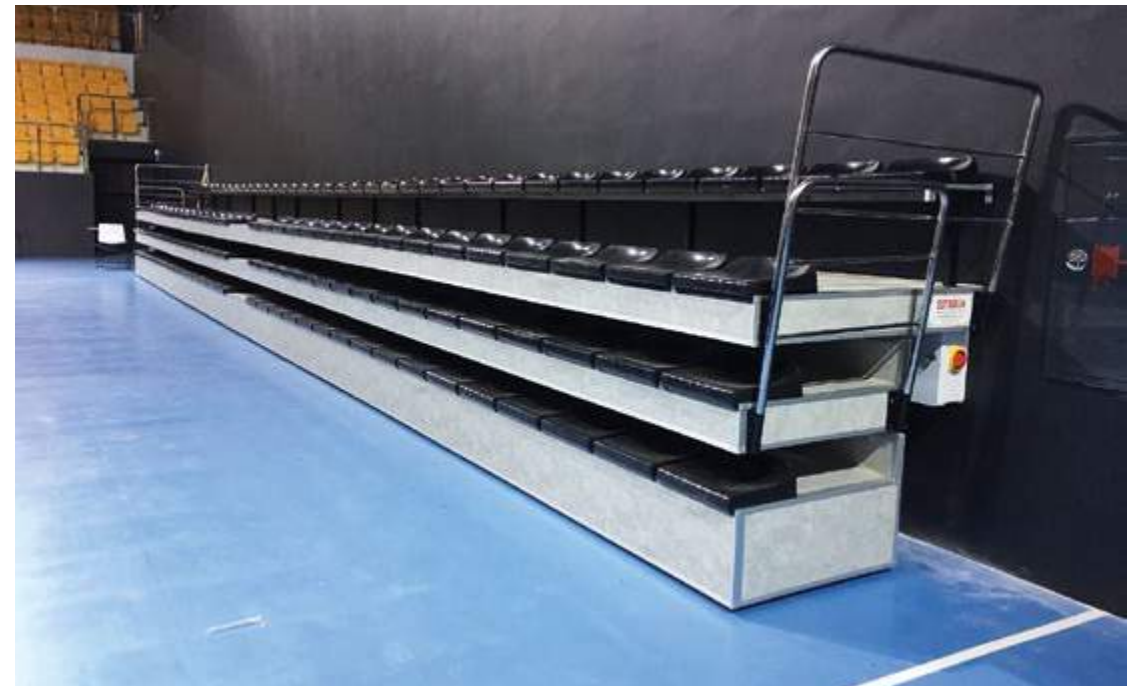
For the movement of the Telescopic Grandstand the Electric Motor will be mounted onto the first Platform. Control button will also be attached for the Platform to move back and forward. Roulette will be carried out by human power or electric motor, product to absorb the reaction forces that could shock absorber in terms of roulette-type will be selected. The wheels on the wagon bobbins that connects the din5401, Heat 1086 will meet normal standard.



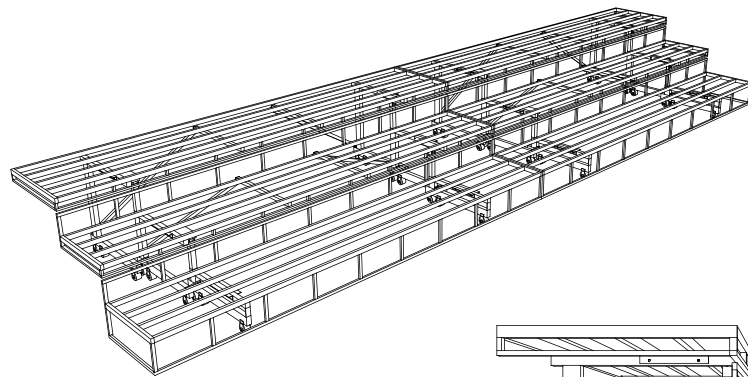
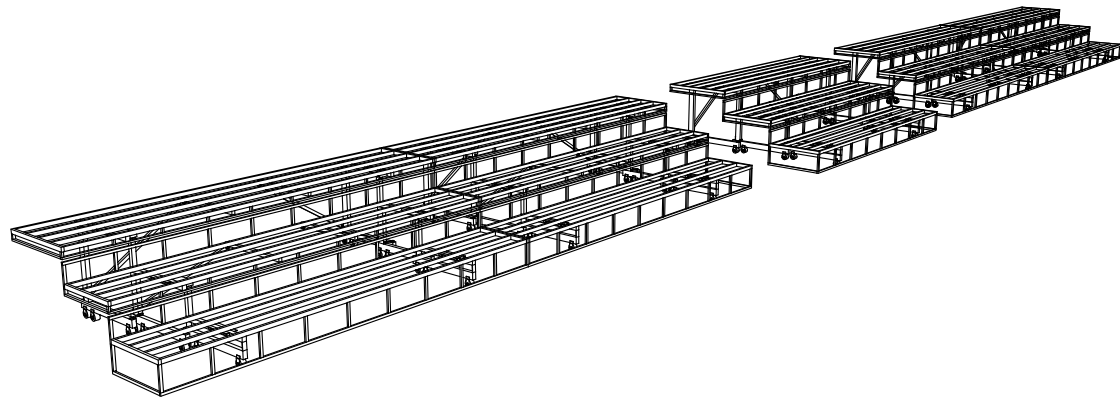
We are developing and producing varieties of VIP seats that can be used for telescopic systems.



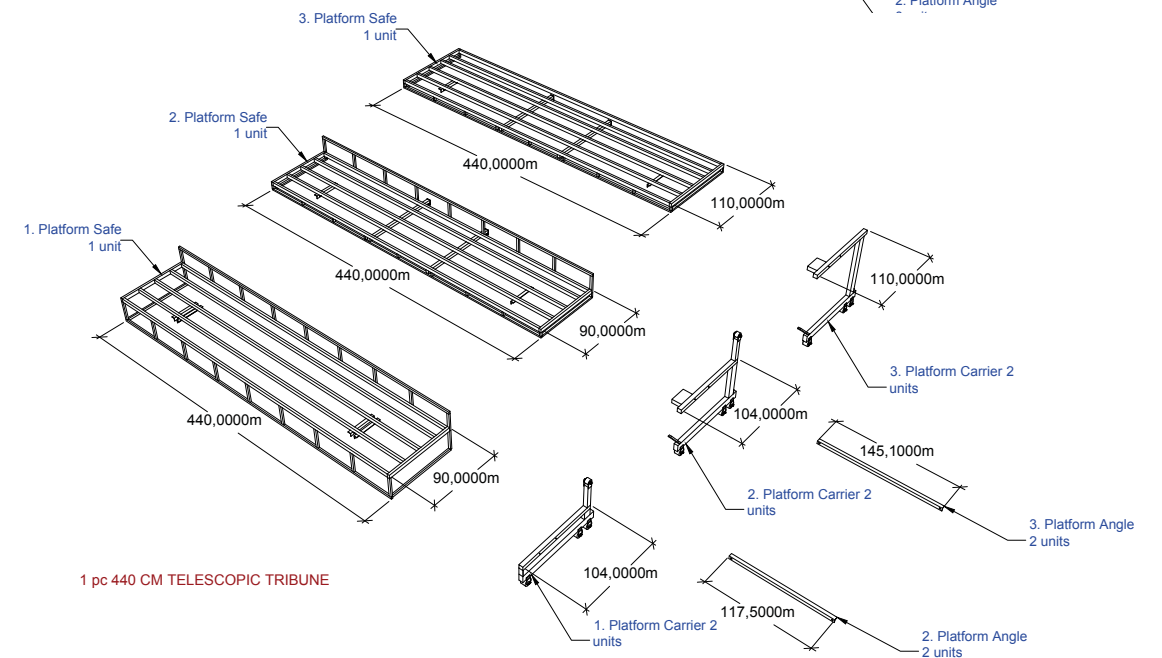
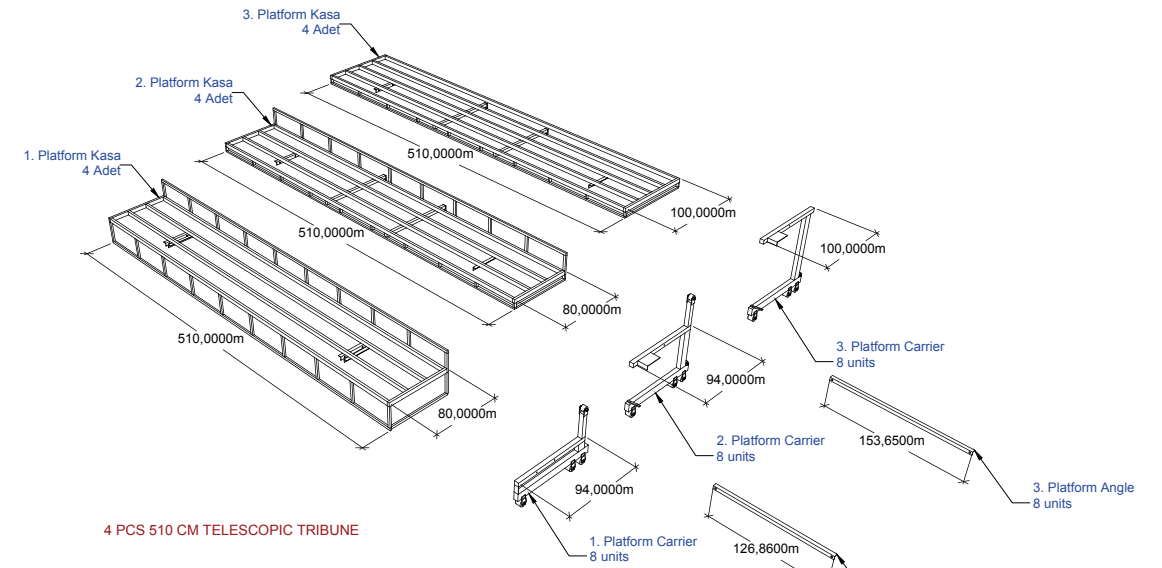
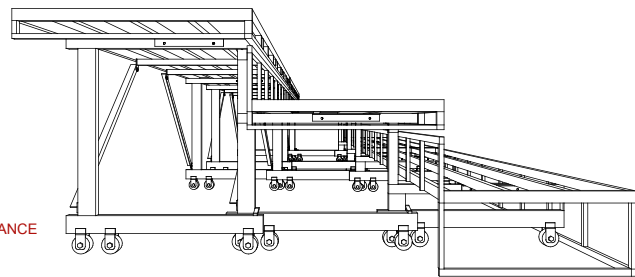


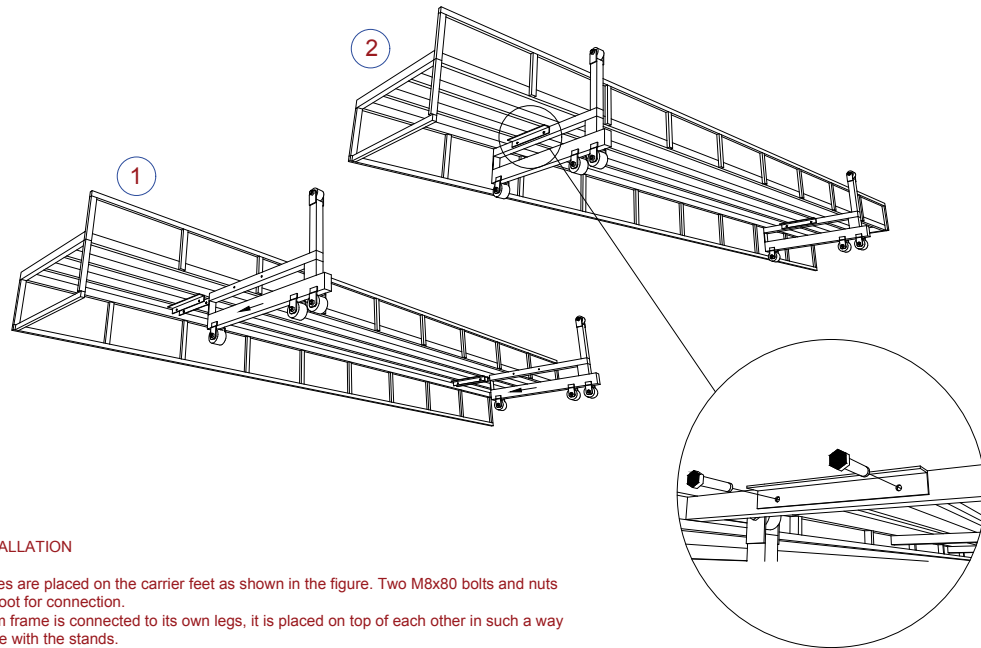


TELESCOPIC TRIBUNE INSTALLATION GUIDE



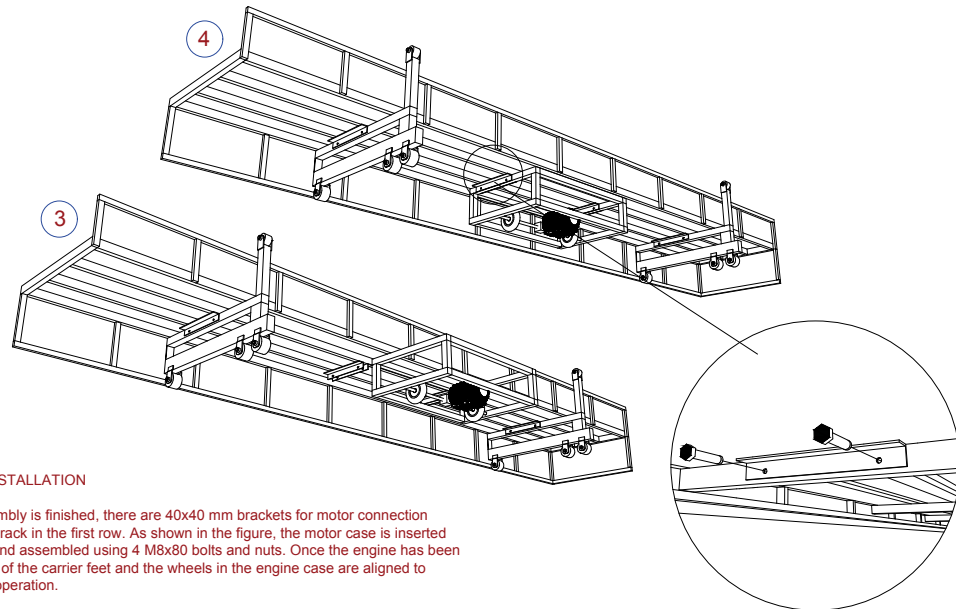
TELESKOPIK FRONT AND FRONT SIDE ISOMETRIC APPEARANCE





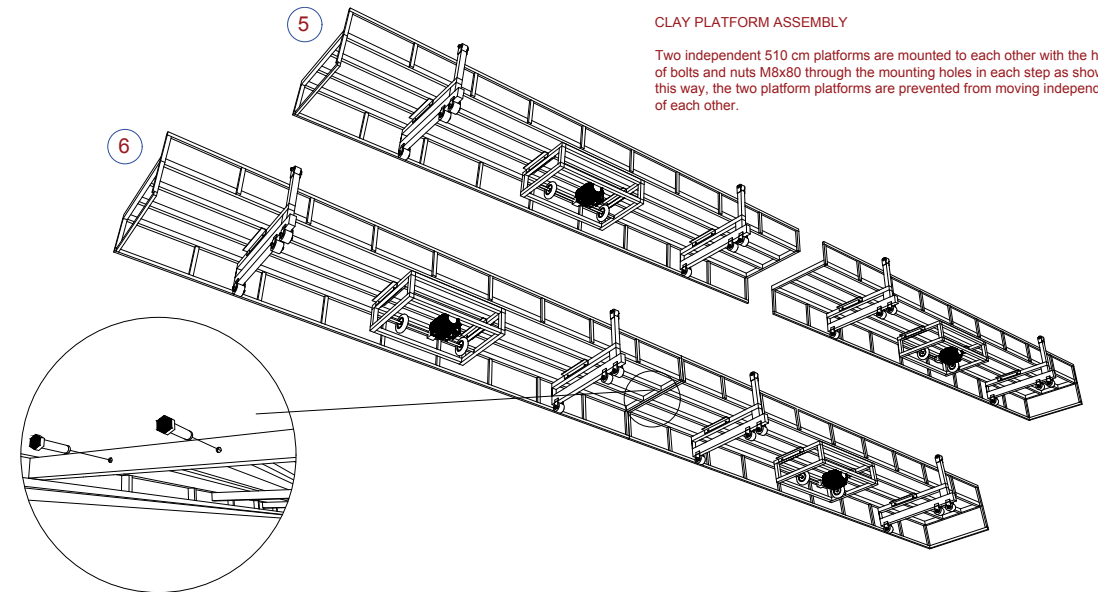
PLATFORM INSTALLATION

The platform frames are placed on the carrier feet as shown in the figure. Two M8x80 bolts and nuts are used at each foot for connection. After each platform frame is connected to its own legs, it is placed on top of each other in such a way that it stands in line with the stands.



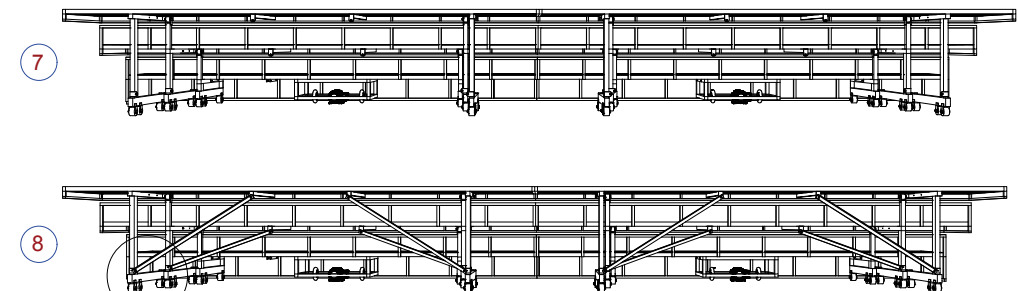
ELECTRIC MOTOR INSTALLATION

After the platform assembly is finished, there are 40x40 mm brackets for motor connection between each platform rack in the first row. As shown in the figure, the motor case is inserted between the brackets and assembled using 4 M8x80 bolts and nuts. Once the engine has been assembled, the wheels of the carrier feet and the wheels in the engine case are aligned to ensure proper system operation.



CLAY PLATFORM ASSEMBLY

Two independent 510 cm platforms are mounted to each other with the help of bolts and nuts M8x80 through the mounting holes in each step as shown. In this way, the two platform platforms are prevented from moving independently of each other.



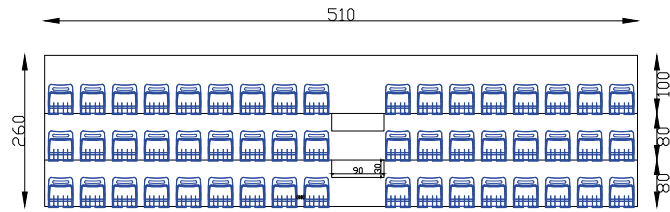
CORNER ASSEMBLY AND FIXATION

Each carrier is connected to the connecting flanges at the rear of the foot and in the middle of the 2nd and 3rd row platform casings as shown by 40x40 mm brackets. M14x30 bolts are used for connection. After the specified assembly process is finished, it is placed in the field where the tribune is used and fixed at the place. Twisted L-shaped connecting brackets are used to secure them in place. As shown in the figure, L is mounted on one side with bolts in the rear wheel and on the other side with steel dowels, fixing is done.

CONNECTION LAMPS

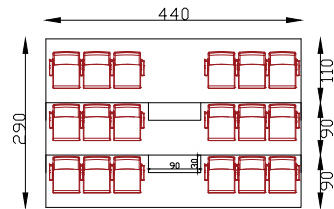
SEAT INSTALLATION

There are 192 different PVC seats and 18 different VIP seats. PVC seats are assembled in four groups as shown in the layout chart below, with 48 being one. There is only one group for 18 VIP seats. The seat assembly is also made with the attachment markings on both seat versions. The connecting plates come out of the package with one side mounted on the seat. The other part, which is empty, is equally spaced so as to correspond to the wooden part of the platform frame.

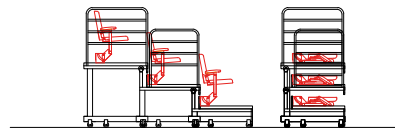
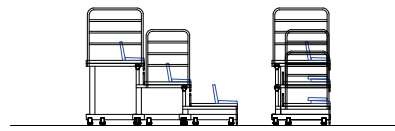


48 UNITS SEAT MODEL STADIUS111 - 4 GROUP

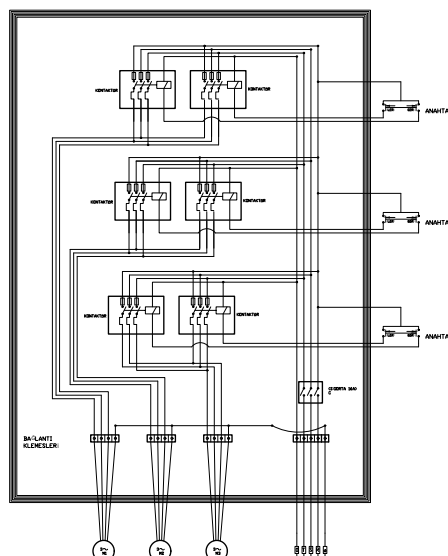
10



18 UNITS VIP SEATS - 1 GROUP



ELECTRIC PANEL CONNECTION SCHEME



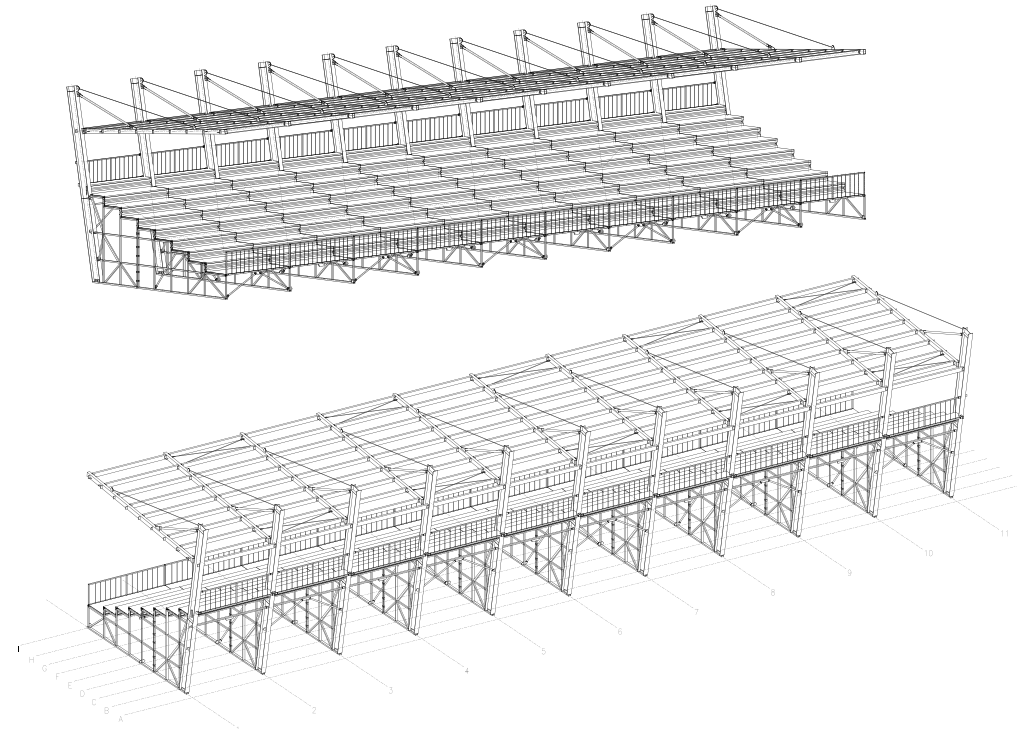
TELESCOPIC TRIBUNE USE INSTRUCTION

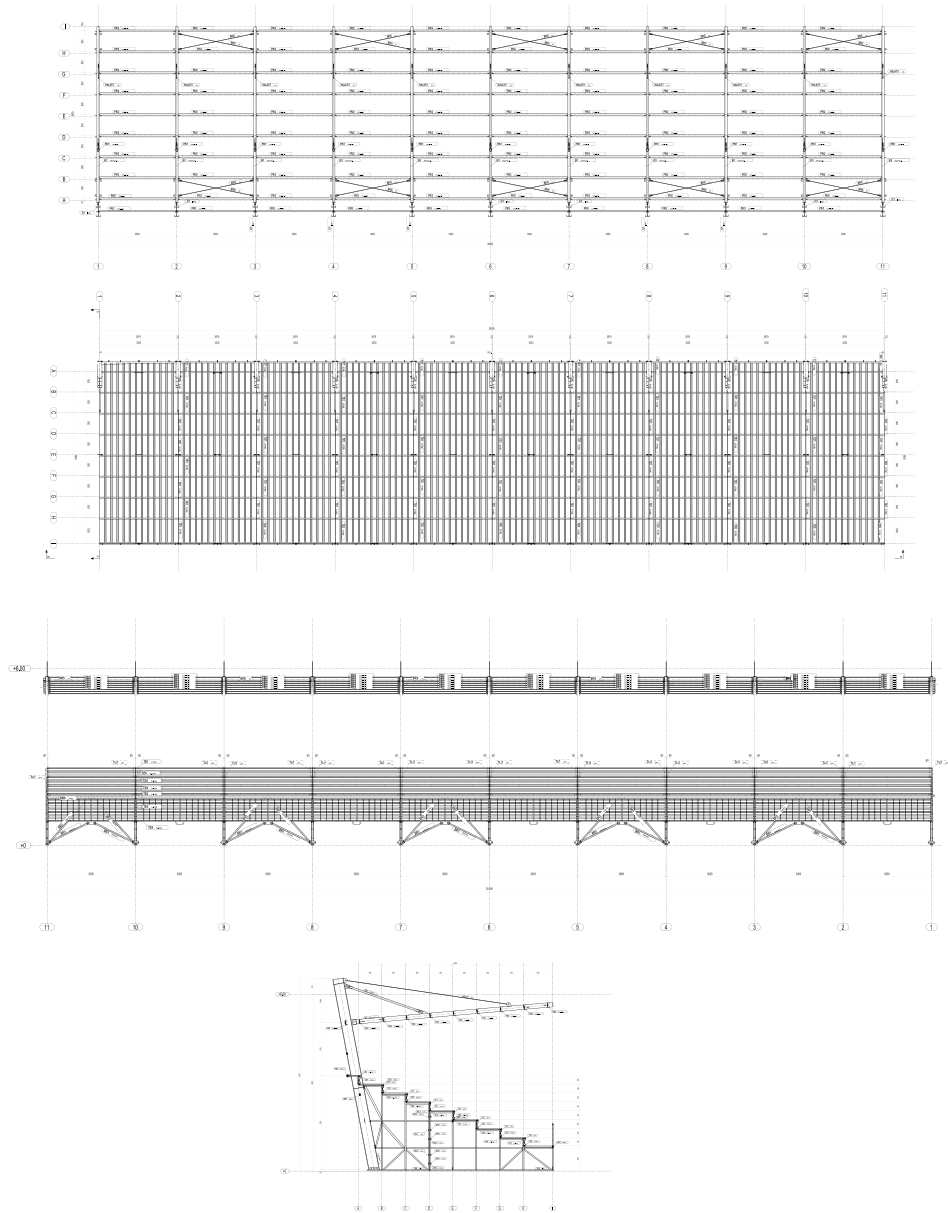
WARNING

- Be sure to read the operating instructions before operating the platform!
- You provide environmental safety for the platform.
- Open the cover of the telescopic tribune electric panel and remove all the fuses inside.
- Check whether the telescopic tribune electrical panel is receiving electrical power from the light sensors on the panel.
- The platform is moved on the electric panel using the forward and back buttons.
- As long as the platform is moved forward (to open the platform), the platform stops and stops when the forward button is held down, and stops when the back button is pressed to hold back the platform.
- When the platform moves forward or backward, close all the fuses in the electric panel and do not forget to close the cover of the electric panel.

- Other than the technical officers, interference with the electric system is PROHIBITED. HIGH VOLTAGE INCLUDED!
- During the opening or closing processes of the telescopic tribune, there shall be no substance or person on, under, in front of or around it.
- The maximum capacity of the telescopic tribunes is 210 persons. Exceeding the capacity is DANGEROUS and PROHIBITED!
- The telescopic tribunes must be fully open or fully closed. Half-open use is DANGEROUS and PROHIBITED!

PROTABLE SYSTEM MINI STADIUM







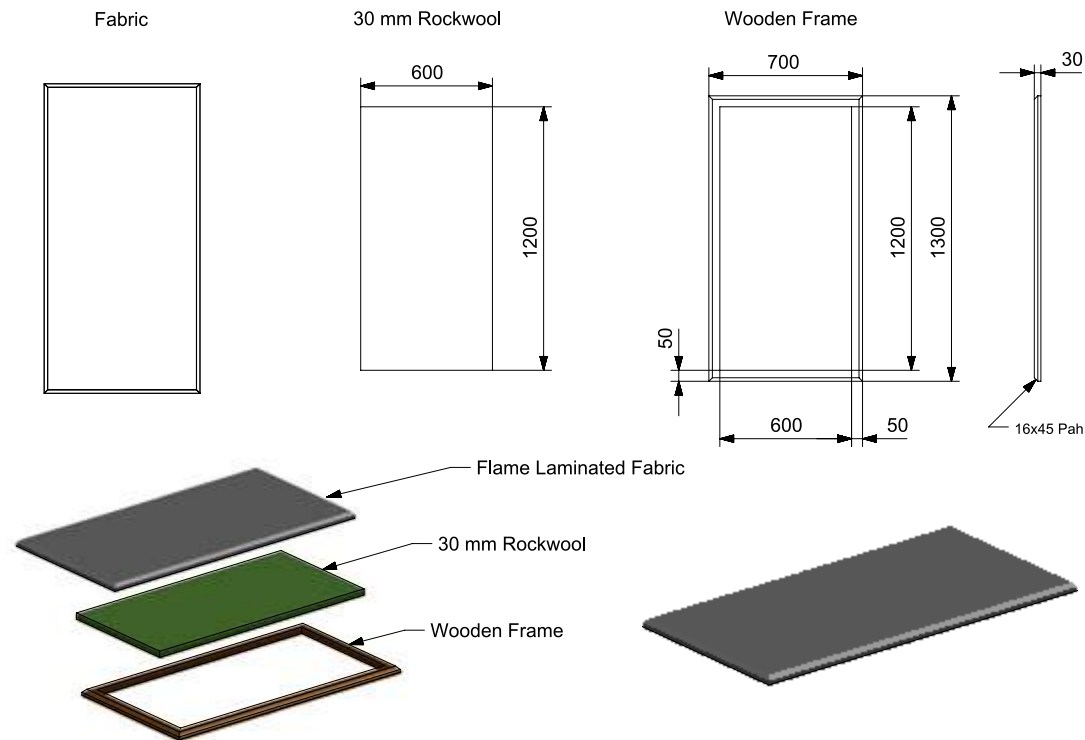
Acoustima[®]
ACOUSTIC PANELS BY SEATUP EUROPE

Be the first to have it...



www.acoustima.com

CLASSIC ACOUSTIC PANEL



Acoustic panel made of rockwool and coated acoustic fabric, for installation we developed unseen screws system for easy installation to the wall without necessarily need of a metal frame in the wall.

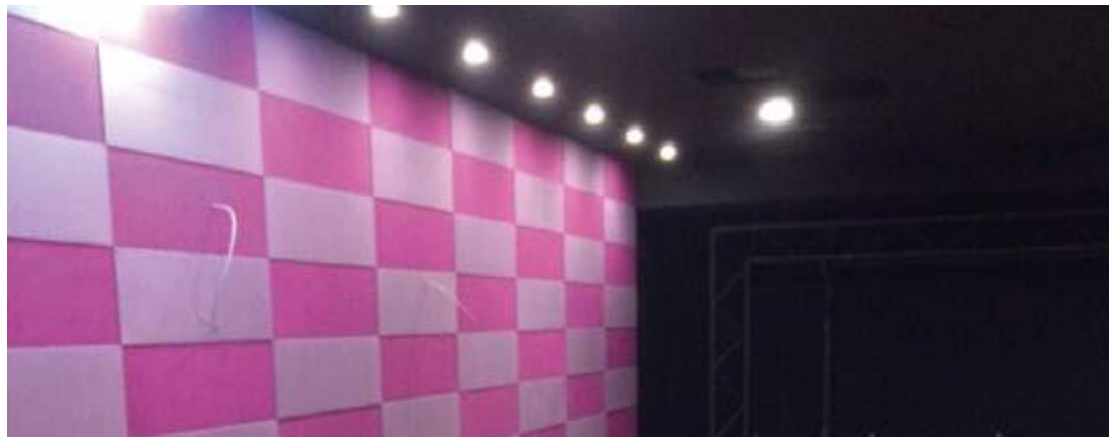
Our installation team will help you with easy and fast installation . recommended size for panels are: 600x600 , 600x1200, 600x1800

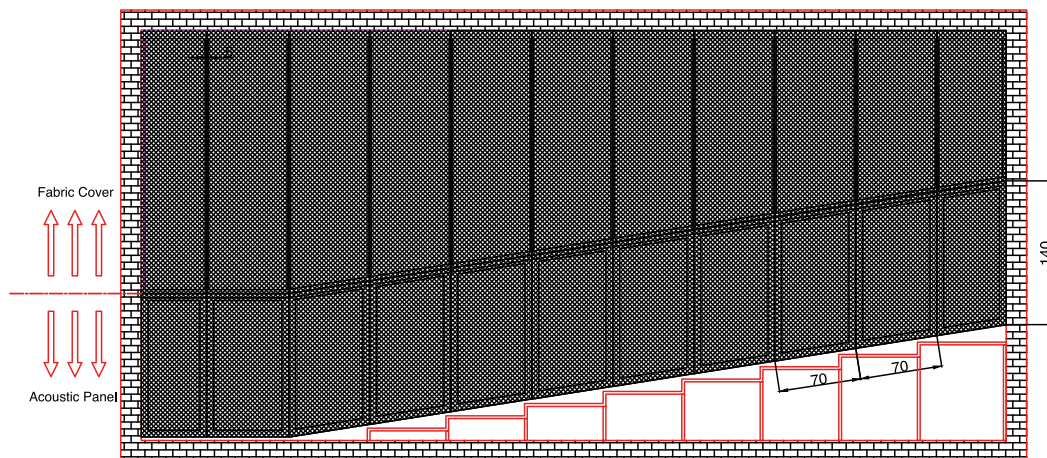
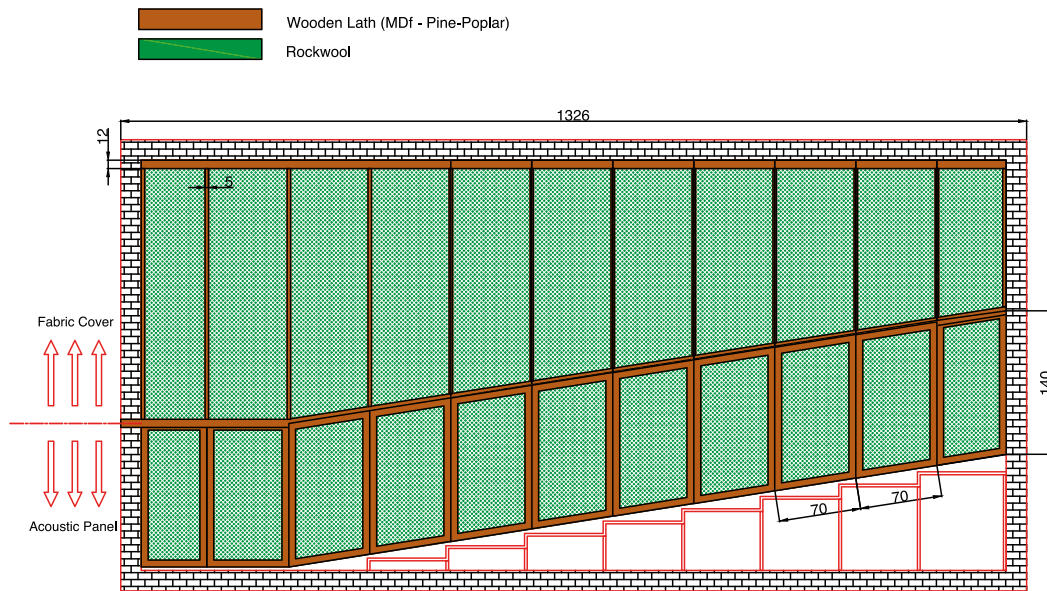
NRC 100 hz: 0,12 - 1250 hz : 0,98 - 5000 hz: 0,78

Fire resistance: Class B s1 d0 According to TS-EN 13501-1:2013 standard Installation: Gluing or Cracking on the MDF frame.

Application area: offices, meeting rooms, shopping malls, cinema and theaters, educational institutions, TV and music rooms.

Acoustima[®] by Seatup Europe[®] offers the perfect Acoustic solution for hygienic environments and social areas





3D ACOUSTIC PANEL

Acoustima® panels made of:

Core material: molded PU foam (Anti flame polyurethane) made by cold injection machine. all the raw materials non flammable, free of carcinogenic substances, manufactured with high density. Surface can be with upholstery fabric or artificial leather.

Appearance and Design:

Surface can be flat and standard, or modern and decorative design such as variety of different geometric shapes, optional to be produced with custom made shapes as long as the amount per order is 500m².

Professional acoustic solution:

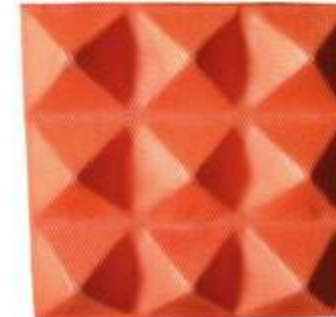
Acoustima® panels it's sound good! It's sound good because when the sound waves hits the surface of the panels it releasing back as a clear sound thanks to the high quality absorbing sound of the panels. In this way Acoustic© panels helps you to bring end to all problems of echo and mixed of noise which can be found in public building, auditorium, schools and education institutes.

Dimensions & Size:

Beside the standard size of 30x30cm , 40x40cm or 60x60cm and thickness of 20mm or 40mm, Acoustima® panels size and dimensions can be modified according to any demand.

Mounting:

Acoustima® panels can be directly glued on the wall or the ceiling by Henkel CU25 or any other high quality silicone glue. It is a big advantage because you don't need to prepare any special carrier system for the Acoustima® panels. It can be applied also as mobile partitions system with a metal frame and wheel legs.

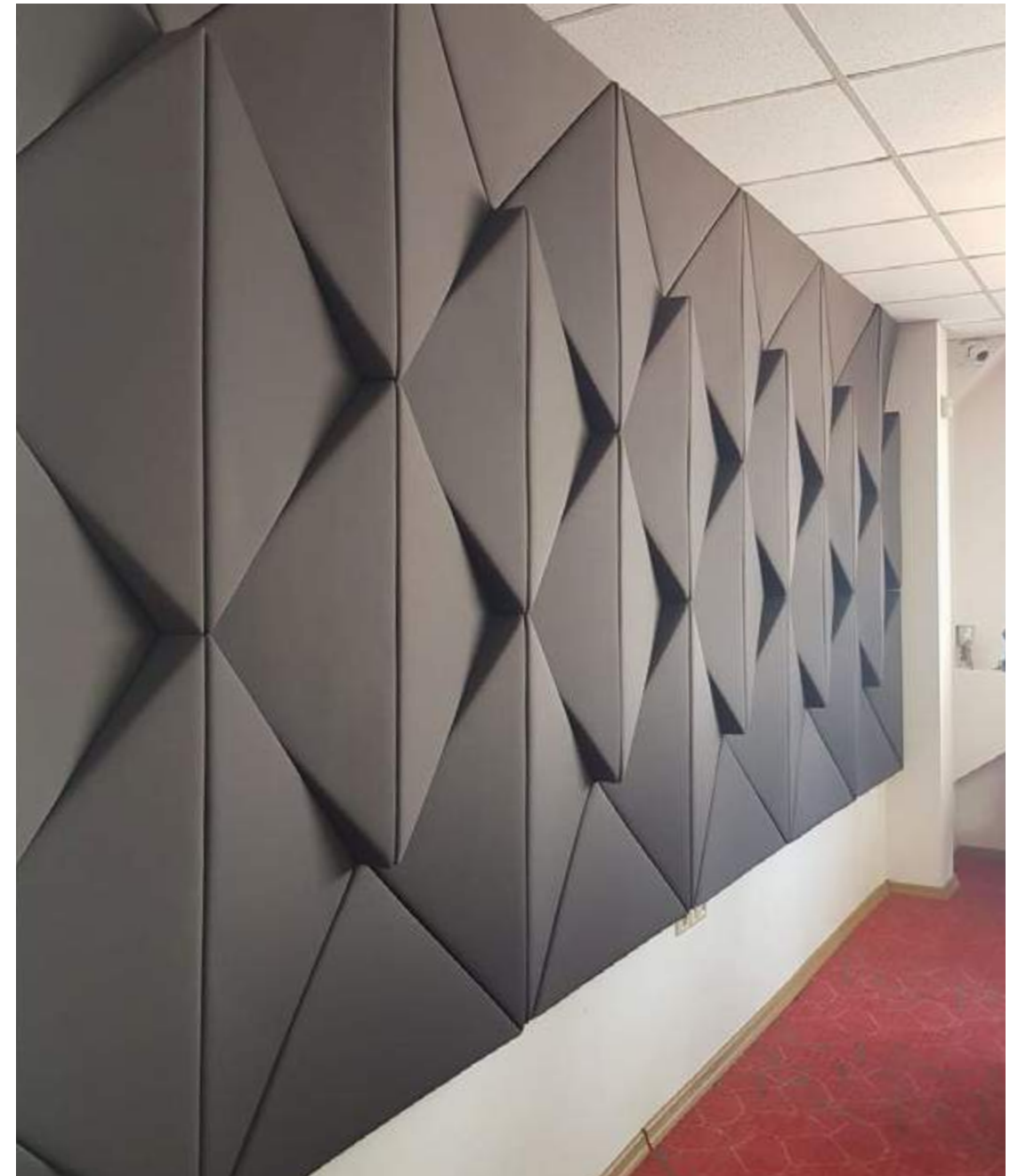


3D acoustic panels are the last word in modern design, they are giving the chance to combine aesthetic and creative design together with real professional acoustic solutions for public building.



What are the new innovation for Acoustic wall panels in 2020?

The 3D triangle shape which allow to design the wall with so many options, this panel will give the solution when you want to provide both hall with professional acoustic performance and with modern design.



CLASSIC CEILING



After installing the T-24 carrying system for ceiling panels, you may need simple 60x60cm Tiles for ceiling, it is common to use the gypsum board ceiling, but for those who are looking for higher acoustic solution and much more aesthetic improvement, the normal gypsum board will not be enough, therefore we offer Acoustic ceiling panels made of GlassWool coated anti flame paint available in any color.



STRETCH LED CEILING

Stretched ceilings are the last word in modern design and they are the best way to create an atmosphere and any fantasy which you wish to have for the space which you design. Espacially in cinemas the guests which are arriving to the hall are waiting to see something special before the movie start, that is your time to blow up their mind with a special stretched ceiling and to give them an unforgettable experience Which will attract them to come again and invite their friends. It can be a ceiling which look like a sky at night with stars and moon, or it can be a ceiling that make the space to be look like a jungle full of trees, you decide how to make the "wow" effect on your audience so they will want to come back again and call their friends to see your cinema hall or any other public building that you may design. It is also important to add that beyond the design experience of the stretched ceilings they are also improve the acoustics in the space and also help to create the illusion of a larger space or a smaller space according to your needs and according to the effect you seek to create in the space you are designing.



LED DESIGN

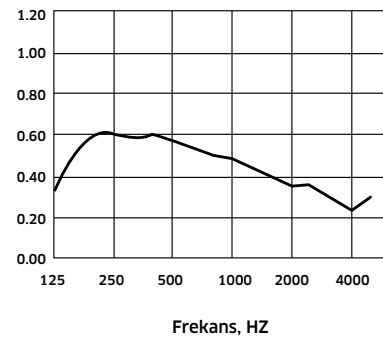
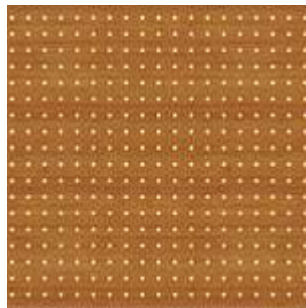
The combination of led lighting in the wall in different shapes, diagonals or straight lines is a good way to add modern design to the hall and also help in situations where the hall has been darkened but it is necessary to enter a guest or announce something without turning on the lights and interfering the experience of the audience.

Therefore we are here for you, in many of our projects besides our seats and Acoustic panels we also provide the design and the installtion of the led lighting for the stairs and for the wall.



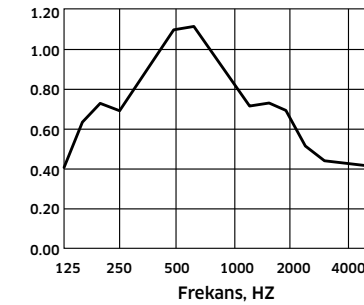
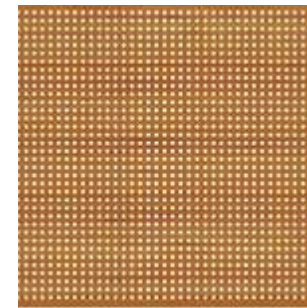
ACOUSTIC WOODEN PANELS

AC100



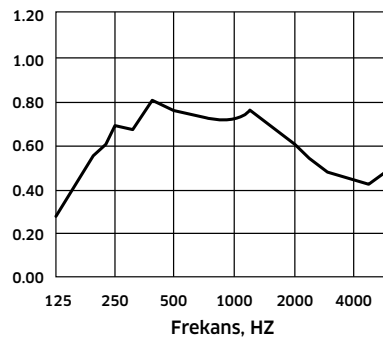
Euro	NRC
D	0.40

AC102



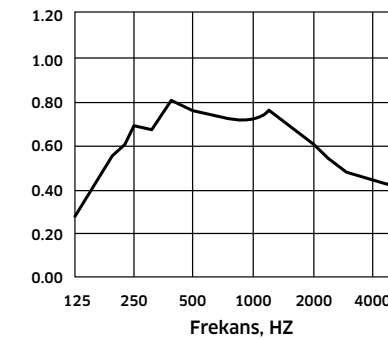
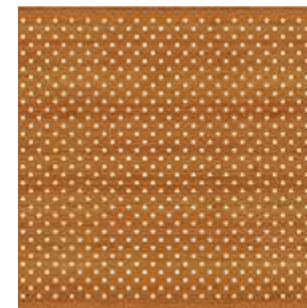
Euro	NRC
C	0.90

AC101



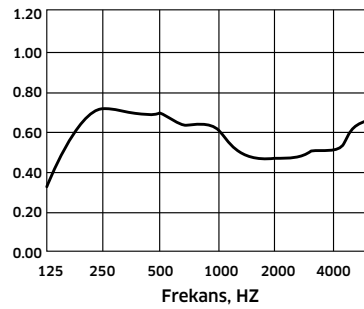
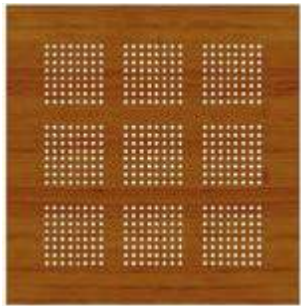
Euro	NRC
C	0.71

AC103



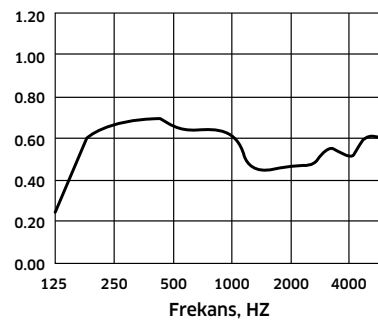
Euro	NRC
C	0.71

AC104



Euro	NRC
C	0.60

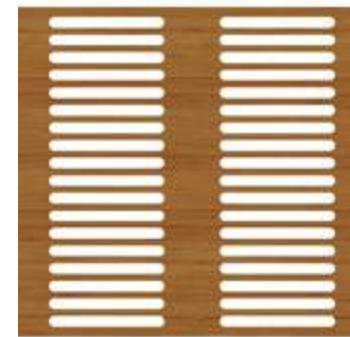
AC105



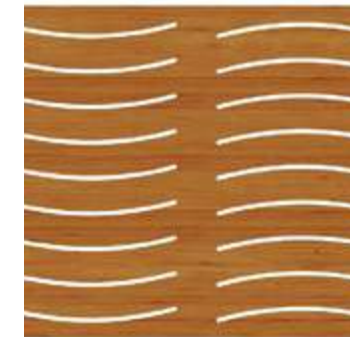
Euro	NRC
C	0.63

ACOUSTIC WOODEN PANELS - OUR SPECIAL COLLECTION

AC106



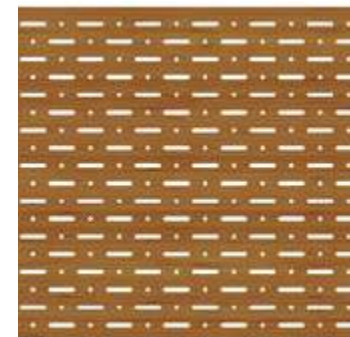
AC107



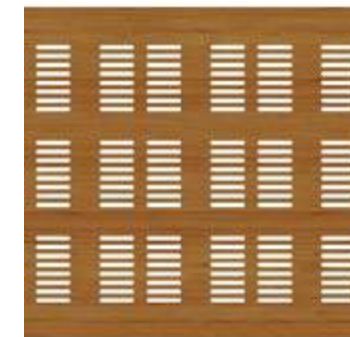
AC108



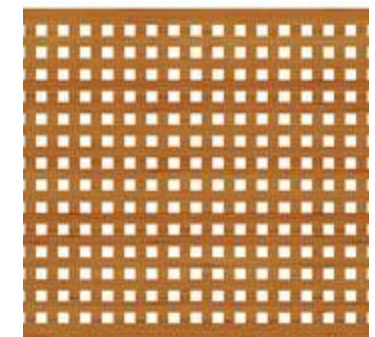
AC109



AC110



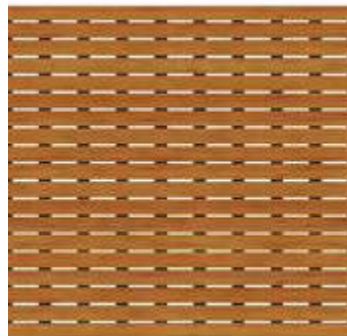
AC111



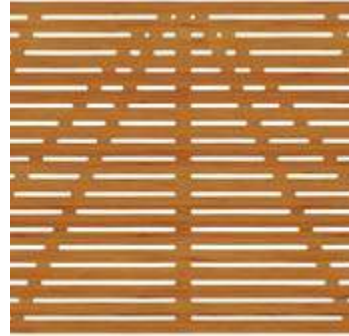
AC112



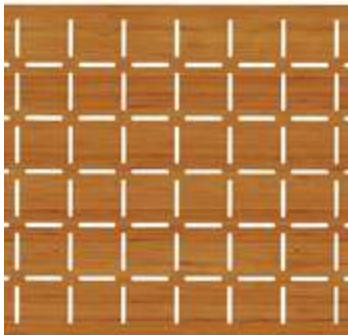
AC113



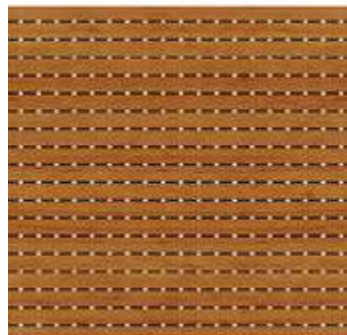
AC114



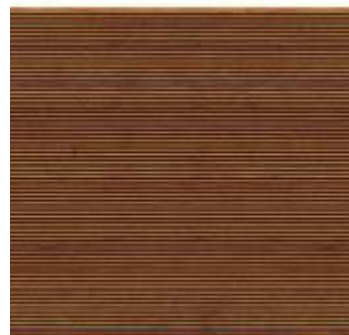
AC115



AC116



AC117



ACOUSTIC WOODEN PANELS FOR WALL

Sizes: From 600×600 mm to 1500×3000mm. Special dimensions can be produced upon request.

Raw Materials: Painted, melamine and natural veneered MDF

Acoustic Fabric: Soundtex

Fire Class: DIN4102-B2, natural coating fire retardant polish application B1.

Carrier System: Tongue and Groove joint system.

Installation System: Customer can choose the installation system which he prefer, most common are the Classic method or the Omega method:

The classic method: Acoustic panels are mounted tongue and groove joint system. Panels are placed on the wall with air staple guns and strong glue.

The Omega method: Acoustic panels are mounted with aluminium profiles. These profiles are screwed to the box profiles and engaged with panels by screws.



ACOUSTIC WOODEN PANELS FOR CEILINGS

Sizes: From 600x600mm to 1500-300mm.

Special dimensions can be produced upon request.

Raw Material: Painted, melamine and natural veneered MDF Acoustic. Fabric: Soundtex .

Acoustic Fabric:

Fire Class: DIN4102-B2, natural coating fire retardant polish application B1.

Carrier Systems: T15, T24 and T15 grooved

Installation system: Panels are placed from the top on the carrier system which you choose: T15, T24 or T15 grooved carriers. This carriers are visible between panels. Each panel is independently removable by hand without any help of tools which that provides quick and easy access to existing installation.



Usage Areas

Conference rooms, theaters, wedding halls, cinemas, opera houses, shopping malls, restaurants, radio and TV studios, offices, crowded offices, hotline centers, call centers, shooting ranges, fitness centers, call centers, swimming pools, wedding rooms, conservatory, study halls, hotel rooms, sound recording studios. Auditorium, home theatre, music halls and concert venues, hotels, offices and factories, public buildings, museums and galleries, hospitals and nursing homes, schools, colleges and universities.

Technical details will be shared according to your project demand we offers a widest range of acoustic wooden panels which is a fantastic combination of architectural elegance and certified acoustic performance.





BAFFLE PANEL

Baffle and canopy panels are hanged from the ceiling and create a unique and surprising design and also help to reduce the noise problem in crowded places.



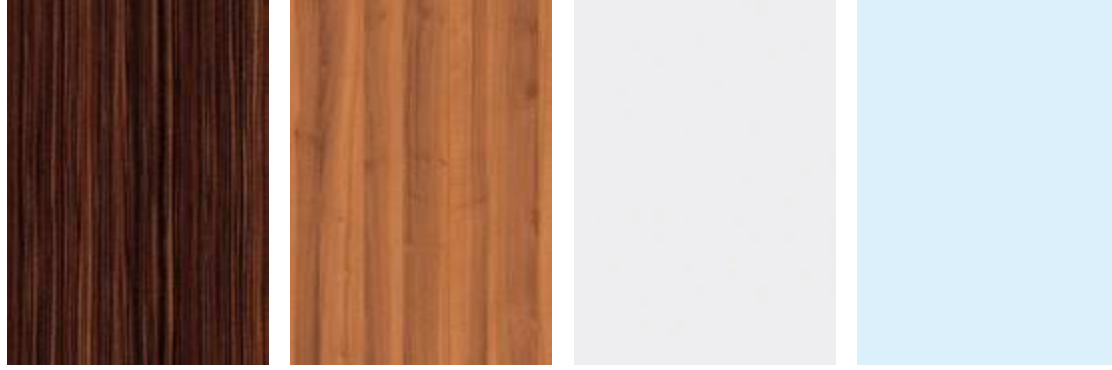
CANOPY PANEL





COLOR CHART

MDF LAMINATE COLOR CHART



ABANOZ

ABANT CEVİZ

AÇIK GRİ

AÇIK MAVİ



AÇIK MEŞE

AÇIK SARI

AÇIK ZEBRANO

AFRİKA CEVİZİ



AHŞAP MEŞE

AK MEŞE

AKAJU

AKÇA AĞAÇ

MDF LAMINATE COLOR CHART



ALTIN CEVİZ

ANTİK CEVİZ

ANTİK LAKE

ARIZONA CEVİZ



ARMUT

ARTEMİS

ARUSHA WENGE

ASOS



ATLANTA MEŞE

ATLANTİS

AVANOS CEVİZ

AVOLA PINE

MDF LAMINATE COLOR CHART



AVRASYA CEVİZ

BALTIMORE CEVİZ

BAMBU

BEJ



BELLY

BEYAZ ELMA

BEYAZ HUS

BEYAZ MEŞE



BOZ CEVİZ

ÇAKIL TAŞI

CEVİZ

ÇİM YEŞİLİ

MDF LAMINATE COLOR CHART



DOĞAL ERİK

DOĞAL KAYIN

DREAM MEŞE

EBONY

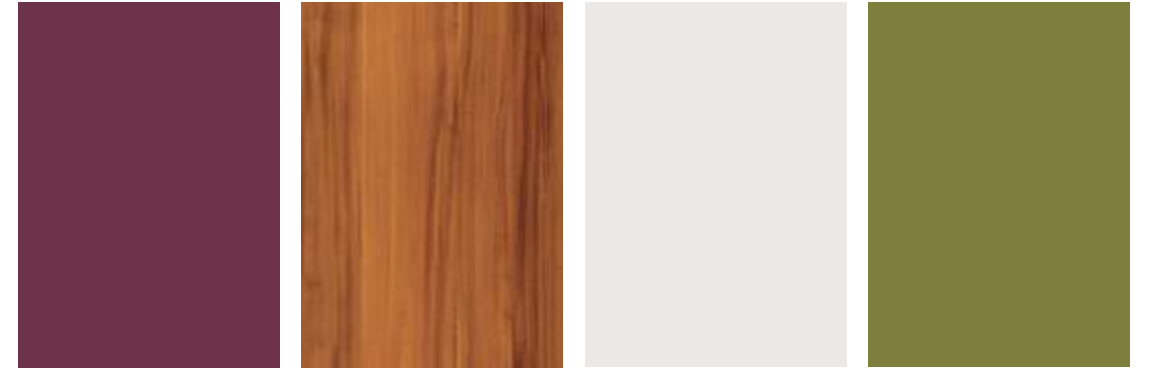


ELEGANCE CEVİZ

ELMA ŞEKERİ

ELMAS KİRAZ

EPOKA



ERGUVAN

ERİK

FİL DİŞİ

FISTIKLI

MDF LAMINATE COLOR CHART

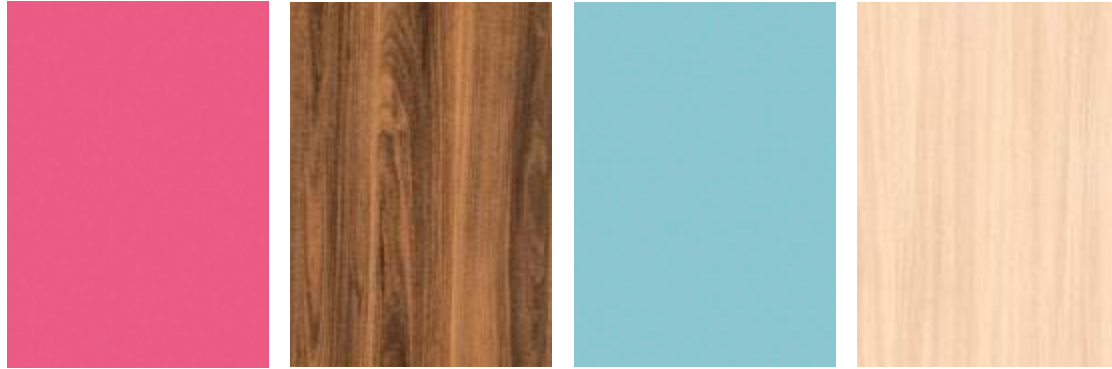


GOLD SOMERSET

GOLDEN BAMBU

GRİ ZEBRANO

GRİ



GÜL KURUSU

HARELİ CEVİZ

HAWAİ BLUE

ILGAZ MEŞE



İLYADA

İTALYAN CEVİZ

KAPİTO

KARAYİP

MDF LAMINATE COLOR CHART



KAR YAĞDI

KATMANDU

KAYIN

KESTANE

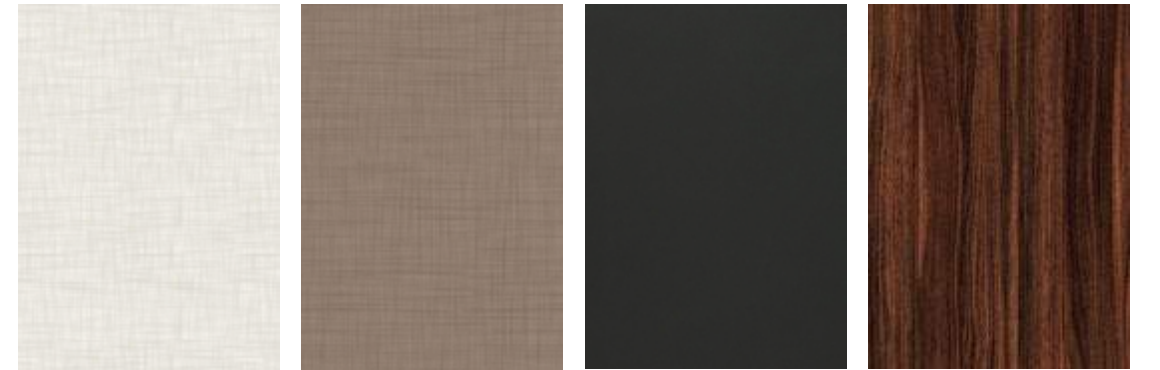


KİRAZ

KIRMIZI

KIZIL CEVİZ

KODDİVA



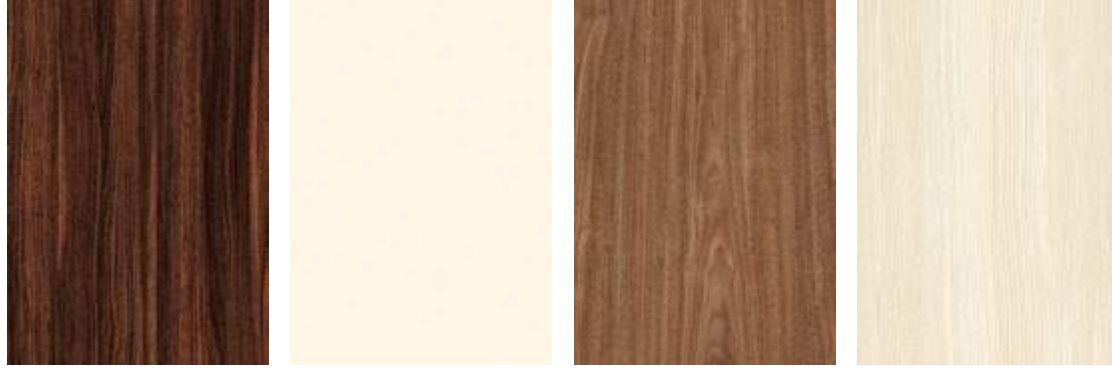
KOTON GRİ

KOTON KAHVE

KOYU GRİ

KOYU MEŞE

MDF LAMINATE COLOR CHART



KOYU ZEBRANO

KREM

LAGOSSİ

LAREKS

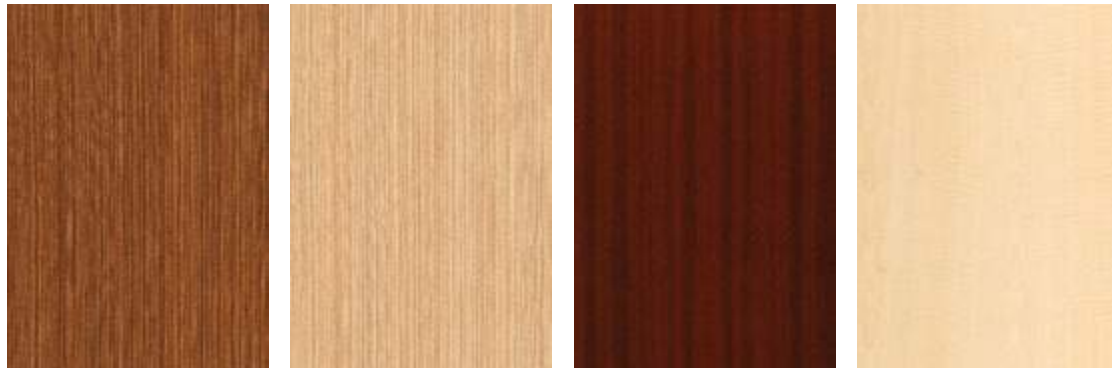


LARIX

LATİN CEVİZ

LIGHT BLUE

LİLA



LINEA CEVİZ

LINEA MEŞE

MAHAGONY

MAKÇA AĞAÇ

MDF LAMINATE COLOR CHART

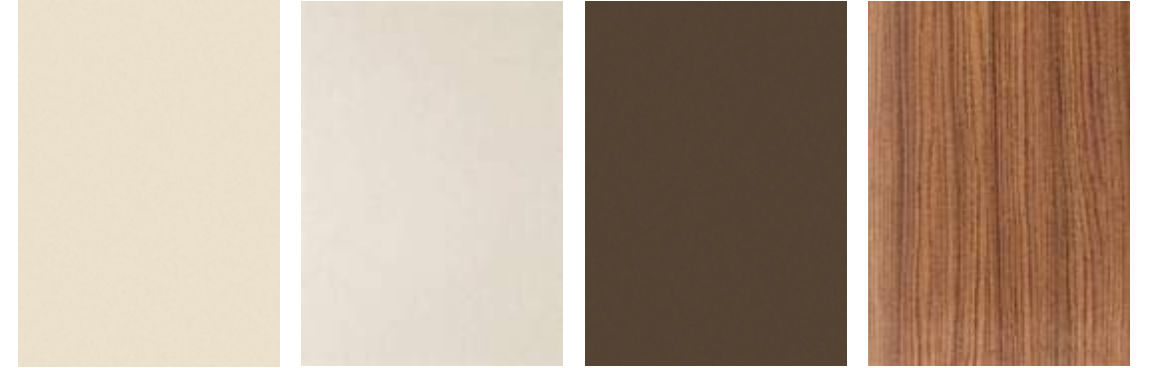


MARMUT

MAUN

MERAPİ MAKASSAR

METALİK BRONZ

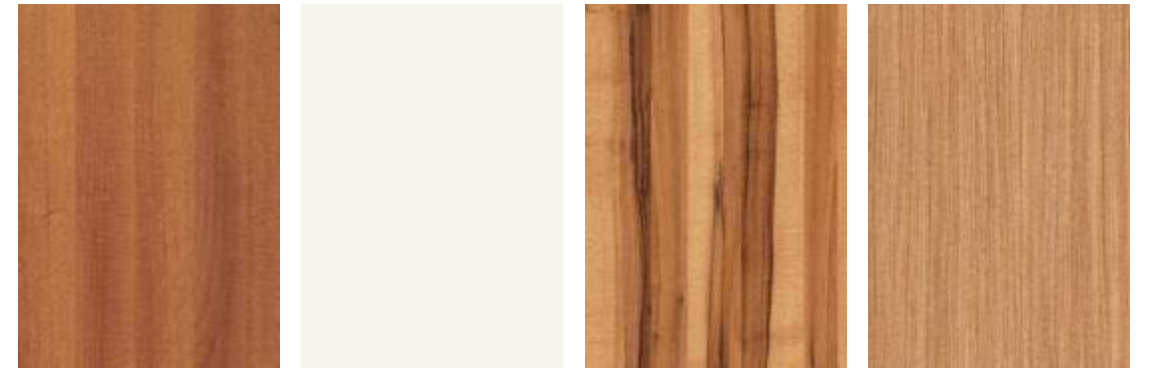


METALİK EKRU

METALİK İNCİ

METALİK KAHVE

METROPOLİS



MİTALYAN CEVİZ

M KREM

MODERN CEVİZ

MODERN TEAK

MDF LAMINATE COLOR CHART



MONTREAL

MORGANA KIRAZ

MÜRDÜM

MUSON HUS



M ZEYTİN

NAPOLYON KIRAZ

NATUREL AÇIK MEŞE

NATUREL MEŞE



NEW WENGE

NİL CEVİZİ

OFİS GRİ

OKYANUS

MDF LAMINATE COLOR CHART



OLİMPİA KIRAZ

ONXY BEYAZ

OZİGO

PALİSANDER



PASİFİK CAM

PEMBE

PINE BEYAZ

PINE GRİ



PINE KAHVE

PLATİN

PORTAKAL

REAL TEAK

MDF LAMINATE COLOR CHART



RIO ABANOZ

RIO MEŞE

SAFARI

SARAY CEVİZ

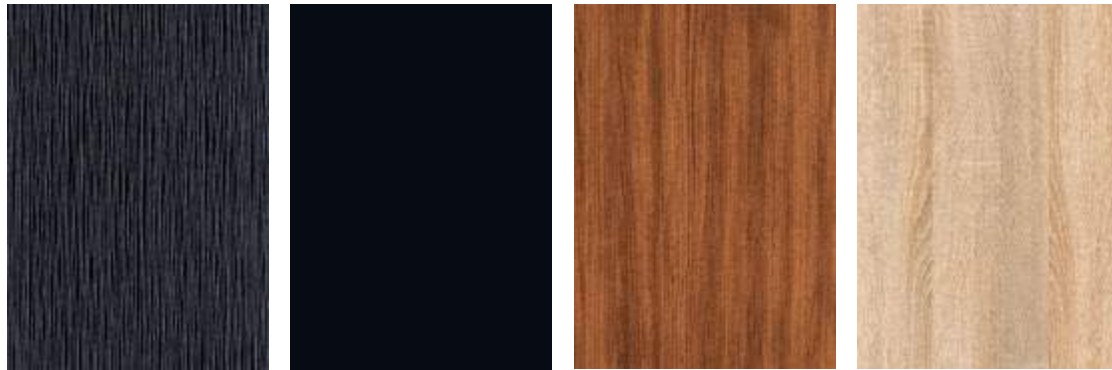


SAVANA

SİAM TEAK

SILVER BAMBU

SILVER SOMERSET



SİYAH İNCİ

SİYAH

SÖKE CEVİZ

SONOMA

MDF LAMINATE COLOR CHART



SU YEŞİLİ

TANGANİKA

TEAK

TİRE CEVİZ



TORRİDA

TREND CAM

TUANA

VANİLYA



VARİO LATTE

VARİO VİZYON

VERDE

VERONA

MDF LAMINATE COLOR CHART



VIKTORYA CEVİZ



VIRGINIA CEVİZ



WENGE



YENİ MEŞE

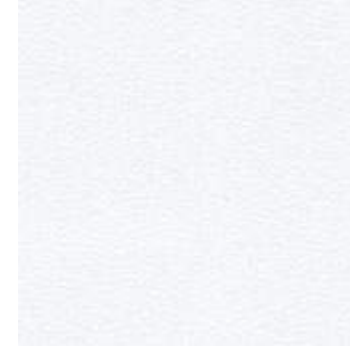


YENİ PALİSANDER



ZEYTİN

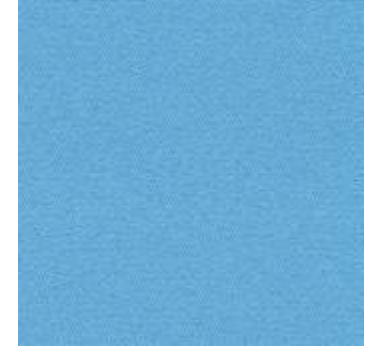
CAMIRA XTREME



ADOBO



ARECİBO



MARIANNA



PARASOL



MARTİNİQUE



HONEYMOON



BLUEFIELD



BLUEBELL



CAYMAN

CAMIRA XTREME



LEeward



CURACAO



OCEAN



SCUBA



COSTA



NAVASSA



CAMPECHE



ORCHILLA



LOMBOK

CAMIRA XTREME



MADURA



TONGA



WINDJAMMER



FLORES



MONTSERRAT



APPLIEDORE



APPLE



TABOO



BRIDGETOWN



Cigarette & Match



Soft Seating



Task Seating



Curtaining



Medium Hazard



Environmental



10 Year Guarantee

CAMIRA XTREME



ANDAMAN



MAUVE



TAROT



TWISTER



OSUMI



STEEL



BLIZZARD

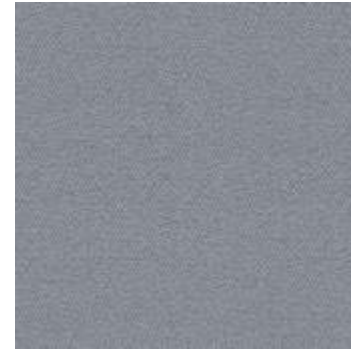


SLIP

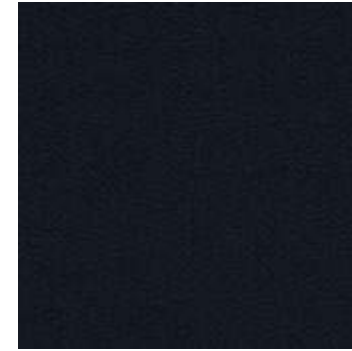


BONAIRE

CAMIRA XTREME



BURU



PADANG



RUM



ANGUILLA



SOMBERO



KRABI



MANADO



ARUBA

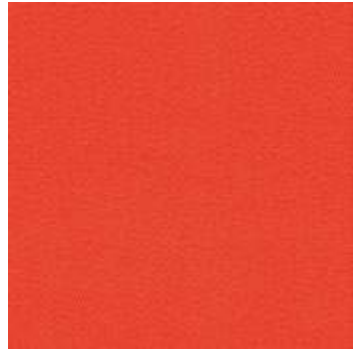


SOLANO

CAMIRA XTREME



JAMAICA



TORTUGA



LOBSTER



TOKARA



CALYPSO



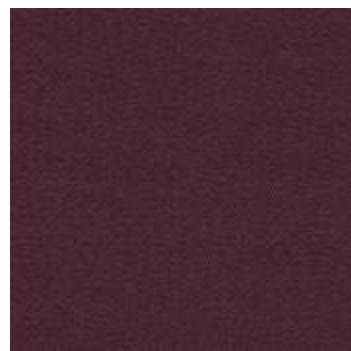
BELIZE



PANAMA



DIABLO



TOBAGO

CAMIRA XTREME



BOUNTY



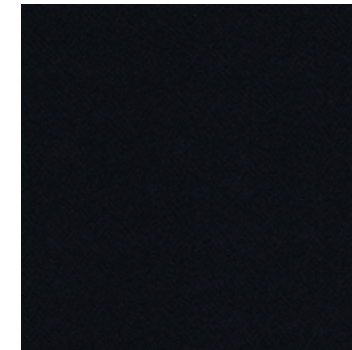
SANDSTORM



NICOBAR



NOUGAT



HAVANA



ARAWAK

SEATUP DIAMOND FABRIC

Diamond



01



02



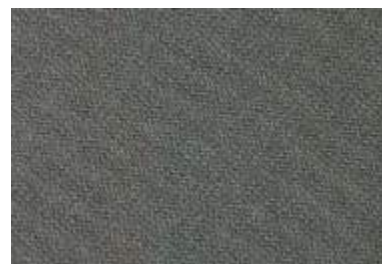
06



07



12



16



50



Width: 160 cm
 Composition: 100% polyester Trevira CS
 Grammage: 220 gr/m²
 Martindale: > 50.0000 cycles
 Flammability: M-1, C-1, EN-10201-1-2, BS, 5852

SEATUP DIAMOND FABRIC

Diamond



03



04



08



10



18



19

Due to restrictions related to screens and printing techniques, the colours and textures shown in this catalogue might slightly differ from the real colours and textures of the upholstery fabrics and finishes

SEATUP LUXURY FABRIC

Luxury



01



02



05



06



10



11



Width: 160 cm
 Composition: 100% polyester Trevira CS
 Grammage: 195 gr/m²
 Martindale: 50.0000 cycles
 Flammability: M-1, C-1, EN-10201-1-2, BS 5852

SEATUP LUXURY FABRIC

Luxury



03



04



07



09

Due to restrictions related to screens and printing techniques, the colours and textures shown in this catalogue might slightly differ from the real colours and textures of the upholstery fabrics and finishes

SEATUP BRIGHT FABRIC

Bright



1100



1101



1105



1106



High Dintade
Dye thread



Circular knit CO
Rysk wazemoksa



PES
Polyester



140 cm

Width: 160 cm
Composition: 100% polyester Trevira CS
Grammage: 205 gr/m²
Martindale: 50,000 cycles
Flammability: M-1, C-1, EN-10201-1-2, BS, 5852

SEATUP BRIGHT FABRIC

Bright



1103



1104



1107



1108

Due to restrictions related to screens and printing techniques, the colours and textures shown in this catalogue might slightly differ from the real colours and textures of the upholstery fabrics and finishes

SEATUP CLASSICAL FABRIC

Classical

Velvet



1001



1005



1008



1011



Info dintada / Dinted thread



Circular icon with globe



Trevira / Velvet



PES / Polyester



Width: 160 cm

Composition: 100% polyester Trevira CS

Grammage: 245 gr/m² ±5%

Martindale: 50.0000 cycles

Flammability: M-1, C-1, EN-10201-1-2, BS, 5852

SEATUP CLASSICAL FABRIC

Classical

Velvet



1006



1007



1021



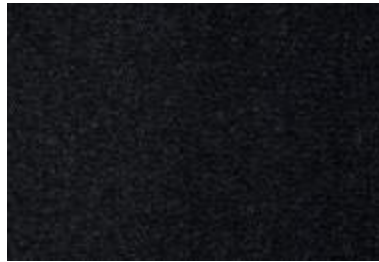
1022

Due to restrictions related to screens and printing techniques, the colours and textures shown in this catalogue might slightly differ from the real colours and textures of the upholstery fabrics and finishes

SEATUP COLORFULL VELVET FABRIC

Colorfull

Velvet



00



01



12



13



18



20



Width: 160 cm
 Composition: 100% polyester Trevira CS
 Grammage: 245 gr/m² ±5%
 Martindale > 50.0000 cycles
 Flammability: M-1, C-1, EN-10201-1-2, BS. 5852

SEATUP COLORFULL VELVET FABRIC

Colorfull

Velvet



03



08



14



16

Due to restrictions related to screens and printing techniques, the colours and textures shown in this catalogue might slightly differ from the real colours and textures of the upholstery fabrics and finishes

SEATUP HAWANA ARTIFICIAL LEATHER

Hawana

Artificial Leather



01



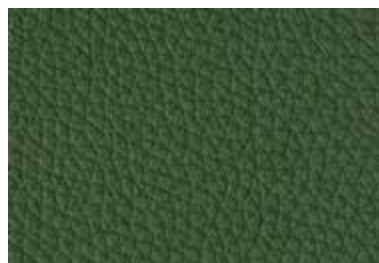
02



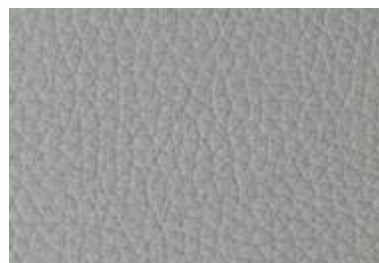
05



06



09



10



Width: 160 cm
 Composition: 94% PVC, 6% Poliamida
 Grammage: 960gr/m² ±10%
 Martindale > 160.000 cycles
 Flammability: M-2, Optional M-1

SEATUP HAWANA ARTIFICIAL LEATHER

Hawana

Artificial Leather



03



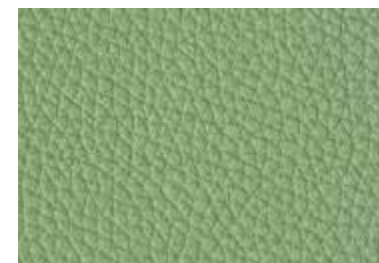
04



07



08



11



12



SEATUP DYNAMIC ARTIFICIAL LEATHER

Dynamic

Artificial Leather



SEATUP DYNAMIC ARTIFICIAL LEATHER

Dynamic

Artificial Leather



Due to restrictions related to screens and printing techniques, the colours and textures shown in this catalogue might slightly differ from the real colours and textures of the upholstery fabrics and finishes

SEATUP SERI REAL LEATHER

Seri 100

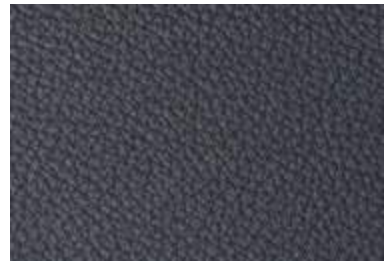
Natural Leather



102



103



114



121



145



147



Average size: 5m² (sq.m.)
 Composition: 100% Genuine Leather
 Thickness: 1.0 - 1.2 mm
 Rub & light fastness: EN ISO 11640, EN ISO 150-B02
 Flammability: UNE EN 1021-1&2

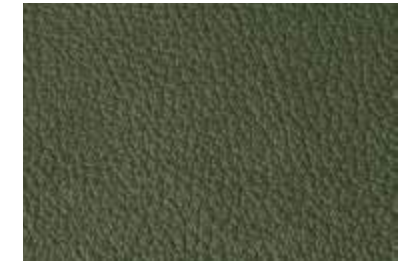
SEATUP SERI REAL LEATHER

Seri 100

Natural Leather



104



108



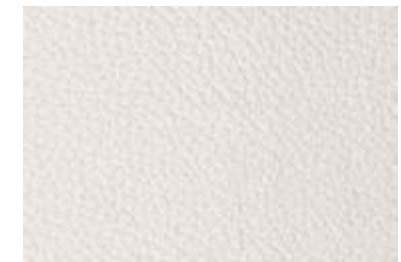
127



141



148



179

Due to retrictions related to screens and printing techniques, the colours and textures shown in this catalogue might slightly differ from the real colours and textures of the upholstery fabrics and finishes

RAL INTERNATIONAL CODES FOR COLORS

Plastics



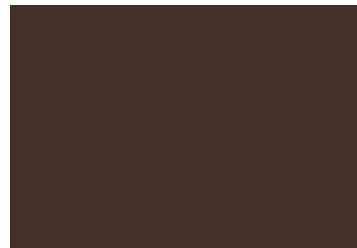
Yellow · Ral 1016



Red · Ral 3020



Grey · Ral 7004



Brown · Ral 8017



RAL INTERNATIONAL CODES FOR COLORS

Plastics



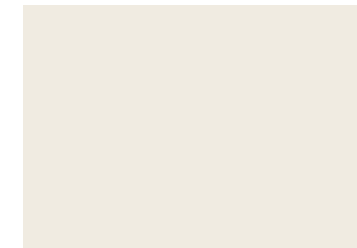
Blue · Ral 5017



Green · Ral 6018



Black · Ral 9005



White · Ral 9010



We manufacture in any color of the RAL codes range



Due to restrictions related to screens and printing techniques, the colours and textures shown in this catalogue might slightly differ from the real colours and textures of the upholstery fabrics and finishes

www.seaturope.com

Seatup Europe | Manufacturing Seating Solutions Catalogue 2020 - 2021



Manufacturing Seating Solutions

SEATUP[®]
EUROPE



CONTACT INFO

Factory.

Cherno More Str. Kableshkovo, P.C. 8210,
Municipality of Pomorie, Burgas District, Bulgaria

Website.

www.seatupeurope.com

Mobil.

+90 542 719 67 12

Tel.

+359 87 9029626

Mail.

info@seatupeurope.com

export@seatupeurope.com